

**AVENGER**  
**150 STREET**



**AVENGER**  
**150 STREET**

Bajaj Auto Limited  
Akurdi Pune 411 035 India  
Tel +91 20 27472851  
Fax +91 20 27407385  
[www.bajajauto.com](http://www.bajajauto.com)

# Spare Parts Catalogue

CIN L65993PN2007PLC130076



## Notice

---

All information contained in this manual is based on the latest product information at the time of publication. Bajaj Auto Limited accepts no liability for any inaccuracies or omissions in this publication, although every possible care has been taken to make it as complete and accurate as possible. All procedures and specifications subject to change without prior notice. The right is reserved to make such changes at any time without prior notice and without incurring an obligation to make such changes to product manufactured previously. Contact your authorized Bajaj Dealer for the latest information on product improvements incorporated after this manual was issued.

**DOC. NO.: 71120097**

**REV. 05 FEB 19**

Copy rights : All rights reserved. No part of this publicatin may be reproduced, stored in a retrival system, Or transmitted in any form or by any means, electronic mechanical photocopying, recording or otherwise, without the prior written permission of Bajaj Auto LTD.

---

## Foreword



We have pleasure in presenting the Spare Parts Catalogue for 'Avenger 180 Street' Motorcycle. This catalogue has been specially designed to assist you in selecting the correct parts for procurement to maintain 100% availability.

The Bajaj spares are subjected to the stringent quality control standards to ensure longer life of the vehicle. It is therefore necessary that only the Genuine Bajaj Spares are used.

In a continual effort to improve Performance and Efficiency of the vehicles, Specifications, Diagrams, Illustrations and Part Numbers can change without notice. Consequently, the description in this Spare Parts Catalogue cannot therefore be final and binding on us.

The modifications / alterations which are carried out after the issue of this catalogue, will be conveyed to you through our Service Circulars. You are requested to make necessary corrections in the Parts Catalogue as per the circulars so as to keep your catalogue up-to-date. This will ensure the appropriate and speedy delivery of the Spare Parts as the order placed will bear the latest part numbers.

In case, if you need any technical assistance contact the concerned Regional Office or write to us on the following address :

**Bajaj Auto Limited**  
**Service Department**  
Akurdi, Pune 411 035 India

## Instructions



**1. How to Read the Catalogue :** Open the catalogue and from the pictorial index locate the group in which the part you want to find is present. Turn over to the concerned page number (as given by pictorial index). Now find out the figure of the part you wish to order. Write down the part number against that particular figure number from the text.

In case, if you have the part number and you need the other details, the part index can be used. The part index (at the end of the catalogue) will give you the figure and page number of the part you wish to order.

**2. How to Order Spare Parts :** The part number and the description of the part required should be invariably mentioned in the order as per the catalogue text.

The latest part number as conveyed through our service circulars should only appear on the order. In case of ordering painted components, colour shade of the components should be mentioned.

The quantity shown against the part number is the quantity per vehicle for that group so that particular quantity should be multiplied by the number of sets required.

**3. Part Number System :** We have used 8 digit system for part numbers. The model or hardware item is indicated by first two digits or alphanumeric, the next two or four digits indicate main group and the last four or two digits indicate serial number in main group or serial number or subgroup of fastener respectively. Thus the part numbers will be indicated by 2-2-4 or 2-4-2 digit system. Understanding this system will enable you to identify the spare parts easily.

**4. Abbreviations :** The following abbreviations are used in this catalogue.

Assly	Assembly	V	Volts
N.I.	Not illustrated	W	Watts
C'case	Crankcase	Accl.	Accelerator
Cyl	Cylinder	Comp.	Complete
O/s	Over size	Fr.	Front
Rr.	Rear	Std.	Standard
L	Length	A/t.	Alternate
R.H.	Right hand	L.H.	Left hand
Hex.	Hexagonal	AR	As required





## Index

Plate No.	Description	Page No.
1	Cover Cylinder Head	2
2	Cylinder Head	4
3	SAI System	6
4	Valve	8
5	Camshaft / Tensioner	10
6	Cylinder and Piston	12
7	Crankshaft	14
8	Balancer & Balancer Idler Gear	16
9	Transmission	18
10	Change Drum / Shift Fork	20
11	Gear Change Mechanism	22
12	Engine Assembly & Crankcase RH	24
13	Crankcase LH	26
14	Cover Clutch	28
15	Cover Magneto	30
16	Clutch Assembly	32
17	Oil Pump	34
18	Carburettor	36
19	Silencer Assembly	38
20	Air Cleaner	40
21	Magneto, CDI, Spark Plug & H.T. Coil	42
22	Starter Motor & Starter Assembly	44
23	Frame & Frame Fittings	46
24	Frame Fitting	48
25	Swing Arm	50
26	Rear Shock Absorber	52
27	Foot Rest	54
28	Mudguard - Front & Rear	56
29	Side Stand & Center Stand Assembly	58
30	Tyre, Tube & Wheel Rim	60
31	Front Hub	62

## Index

Plate No.	Description	Page No.
32	Rear Hub - Alloy Wheel	64
33	Rear Brake Pedal	66
34	Front Master Cylinder	68
35	Front Brake - Caliper & Disc	70
36	Handle Bar Assembly	72 - 74
37	Front Fork	76 - 78
38	Fuel Tank	80 - 82
39	EVAP Mechanism	84
40	Seat / Grip Frame Rear / Cover Grip Frame	86
41	Speedometer	88
42	Cables	90
43	Side Covers / Chain Covers	92
44	Guards	94
45	Head Light	96
46	Tail Light / Reflector Reflex	98
47	Indicator Light	100
48	Electrical Equipment	102
49	Ignition Switch & Control Switch	104
50	Tool Kit	106
51	Painted Parts and Decals	108
52	Consumable Parts	110 - 112
	Kits List	113 - 116
	Amendment Sheet (Parts Added)	117
	Amendment Sheet (Parts Deleted)	118
	Part Index	119 - 134

# Pictorial Index

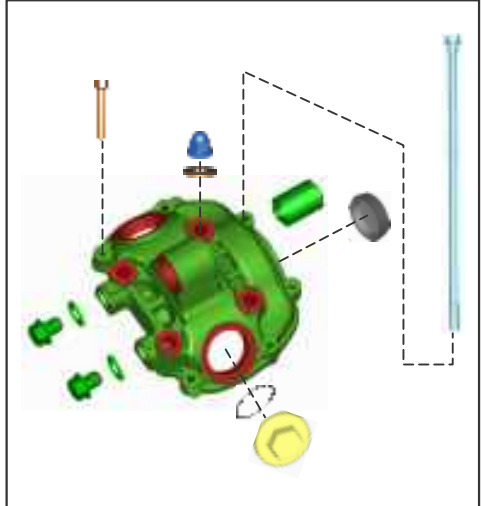
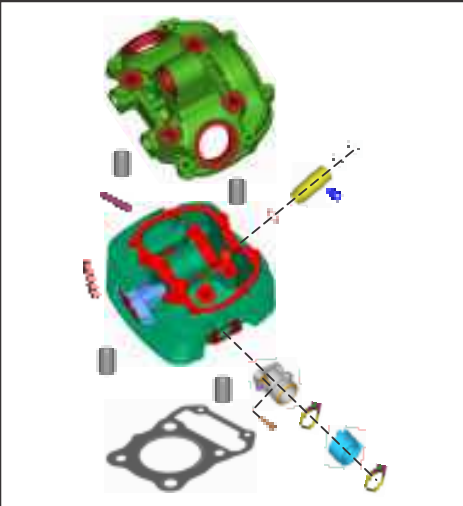
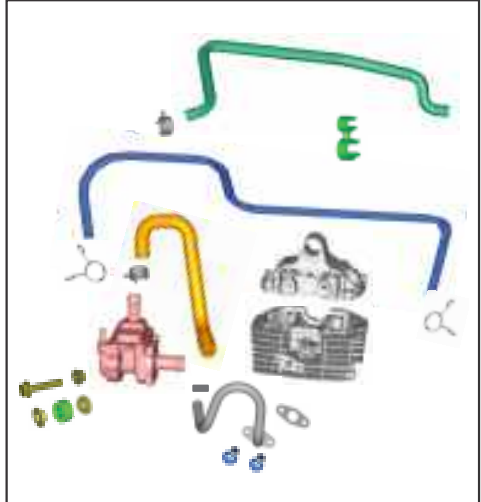
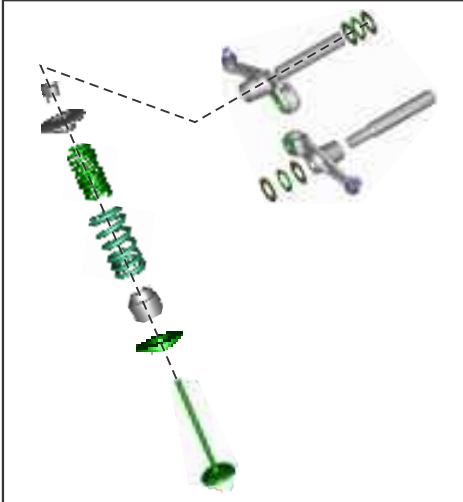
PLATE NO. : 1 COVER CYLINDER HEAD	PAGE NO. 1	PLATE NO. : 2 CYLINDER HEAD	PAGE NO. 3
			

PLATE NO. : 3 SAI System	PAGE NO. 5	PLATE NO. : 4 VALVE	PAGE NO. 7
			

# Pictorial Index

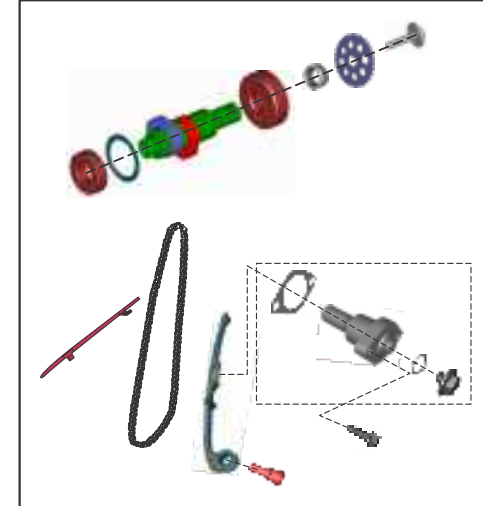
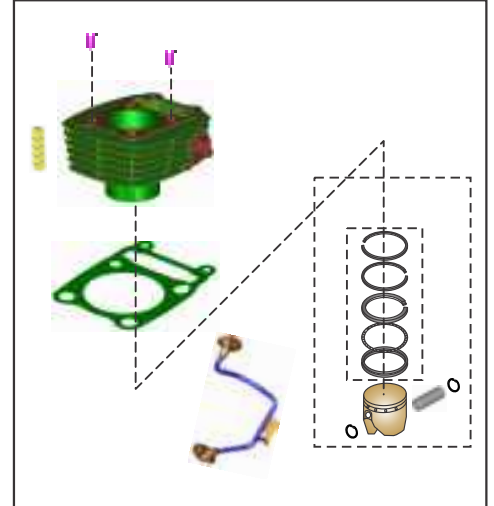
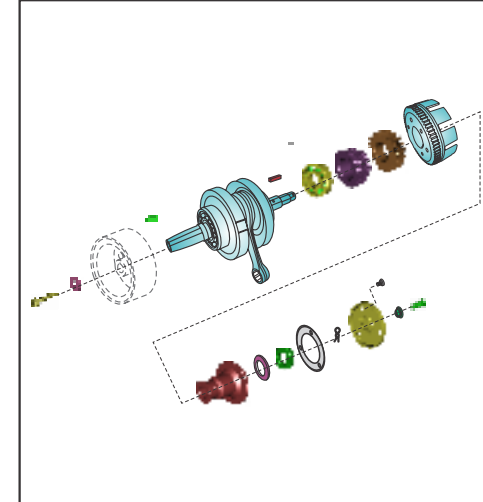
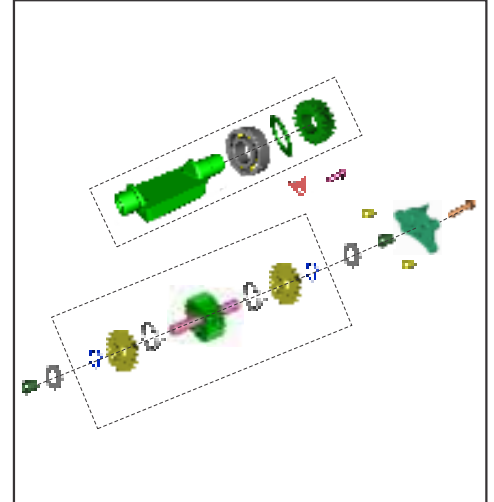
PLATE NO. : 5 CAMSHAFT / TENSIONER	PAGE NO. 9	PLATE NO. : 6 CYLINDER AND PISTON	PAGE NO. 11
			

PLATE NO. : 7 CRANKSHAFT	PAGE NO. 13	PLATE NO. : 8 BALANCER & BALANCER IDLER GEAR	PAGE NO. 15
			

# Pictorial Index

PLATE NO. : 9  
TRANSMISSION

PAGE NO.  
17

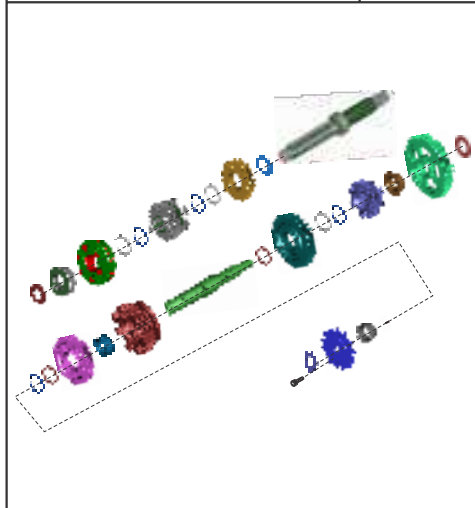


PLATE NO. : 10  
CHANGE DRUM / SHIFT FORK

PAGE NO.  
19

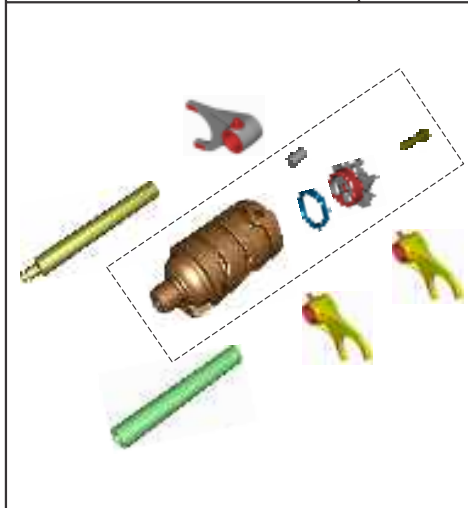


PLATE NO. : 11  
GEAR CHANGE MECHANISM

PAGE NO.  
21

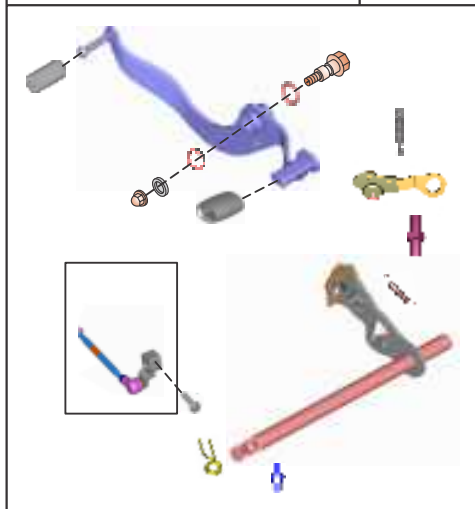
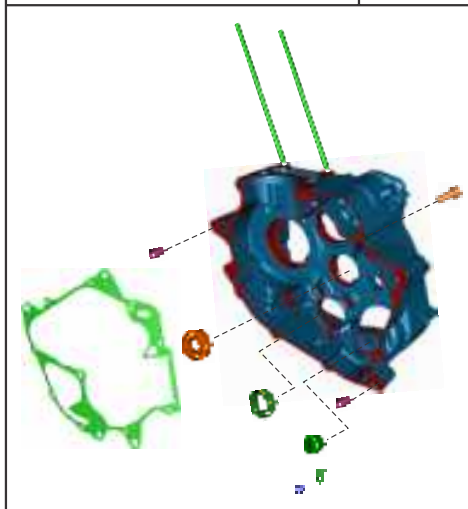


PLATE NO. : 12  
ENGINE ASSEMBLY & CRANKCASE RH

PAGE NO.  
23



# Pictorial Index

PLATE NO. : 13  
CRANKCASE LH

PAGE NO.  
25

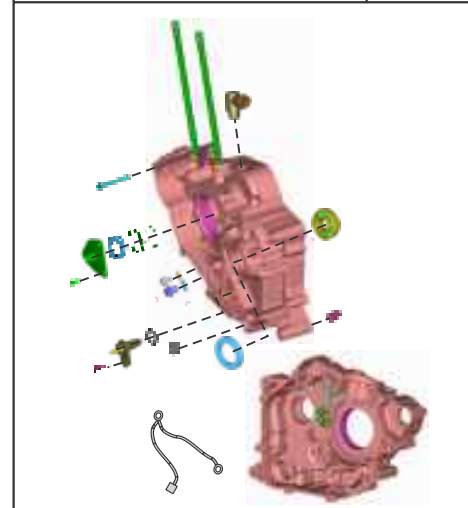


PLATE NO. : 14  
COVER CLUTCH

PAGE NO.  
27

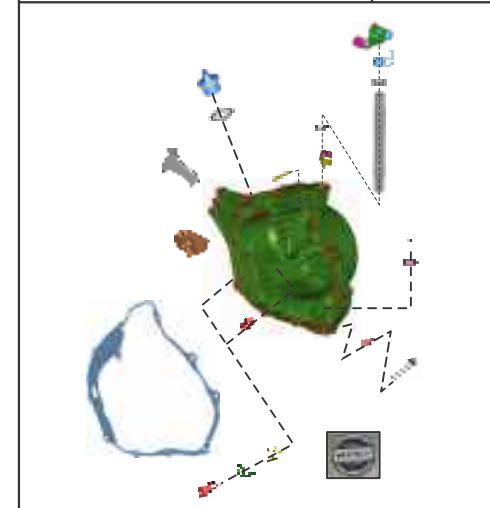


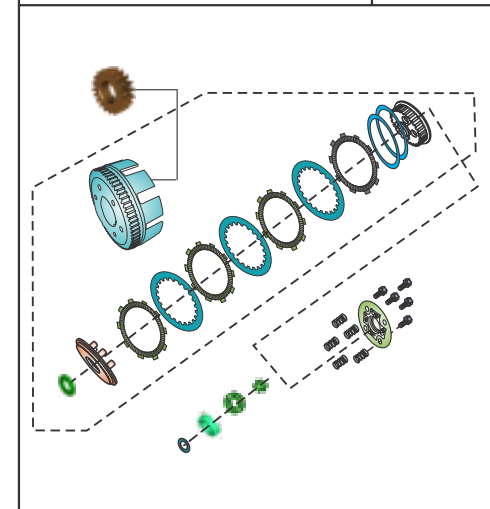
PLATE NO. : 15  
COVER MAGNETO

PAGE NO.  
29



PLATE NO. : 16  
CLUTCH ASSEMBLY

PAGE NO.  
31



# Pictorial Index

PLATE NO. : 17  
OIL PUMP

PAGE NO.  
33

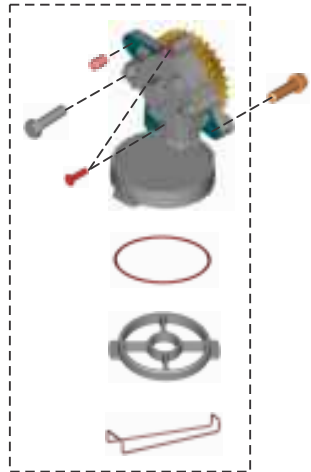


PLATE NO. : 18  
CARBURETTOR

PAGE NO.  
35

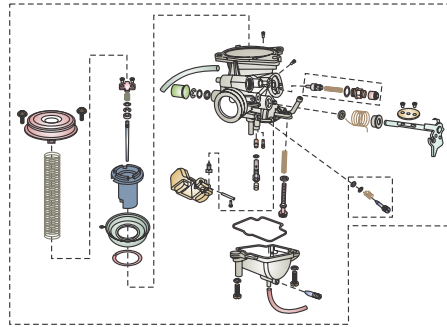


PLATE NO. : 19  
SILENCER ASSEMBLY

PAGE NO.  
37

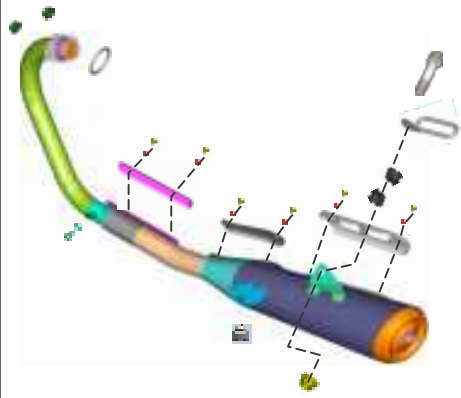
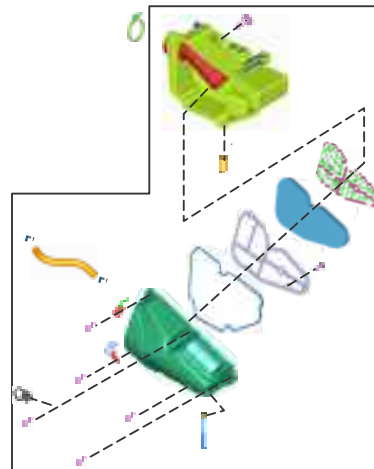


PLATE NO. : 20  
AIR CLEANER

PAGE NO.  
39



# Pictorial Index

PLATE NO. : 21  
MAGNETO, CDI, SPARK PLUG & H.T. COIL

PAGE NO.  
41

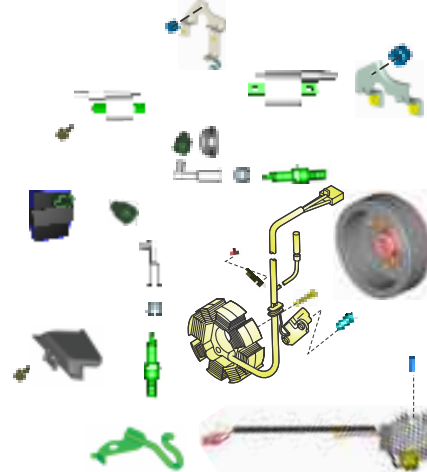


PLATE NO. : 22  
STARTER MOTOR & STARTER ASSLY.

PAGE NO.  
43

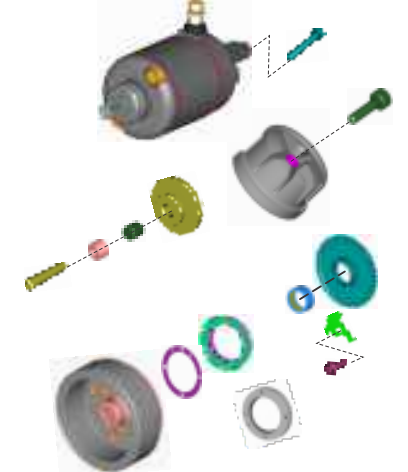


PLATE NO. : 23  
FRAME & FRAME FITTING

PAGE NO.  
45

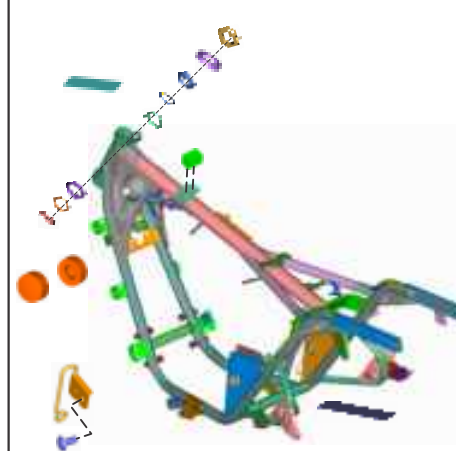
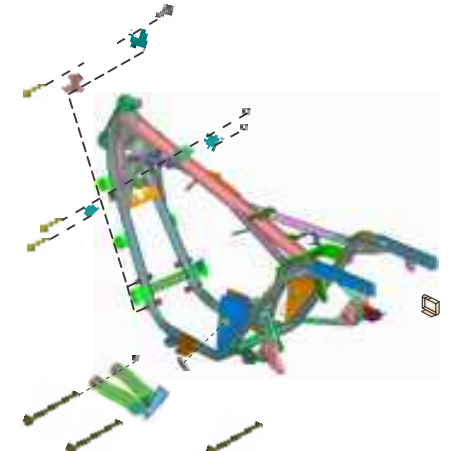


PLATE NO. : 24  
FRAME FITTING

PAGE NO.  
47



# Pictorial Index

PLATE NO. : 25 SWING ARM	PAGE NO. 49

PLATE NO. : 26 REAR SHOCK ABSORBER	PAGE NO. 51

PLATE NO. : 27 FOOT REST	PAGE NO. 53

PLATE NO. : 28 MUDGUARD - FRONT & REAR	PAGE NO. 55

# Pictorial Index

PLATE NO. : 29 SIDE STAND & CENTER STAND ASSLY.	PAGE NO. 57

PLATE NO. : 30 TYRE, TUBE & WHEEL RIM	PAGE NO. 59

PLATE NO. : 31 FRONT HUB	PAGE NO. 61

PLATE NO. : 32 REAR HUB - ALLOY WHEEL	PAGE NO. 63

# Pictorial Index

PLATE NO. : 33  
REAR BRAKE PEDAL

PAGE NO.  
65

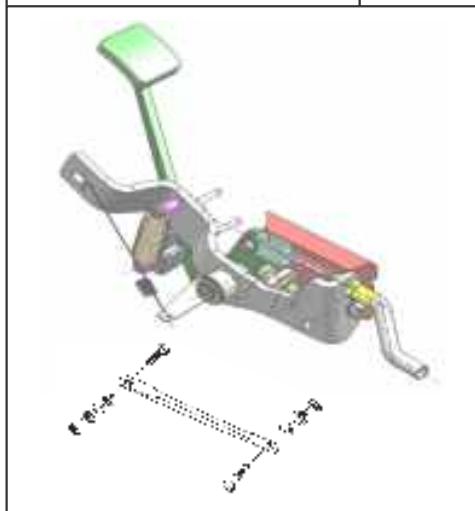


PLATE NO. : 34  
FRONT MASTER CYLINDER

PAGE NO.  
67

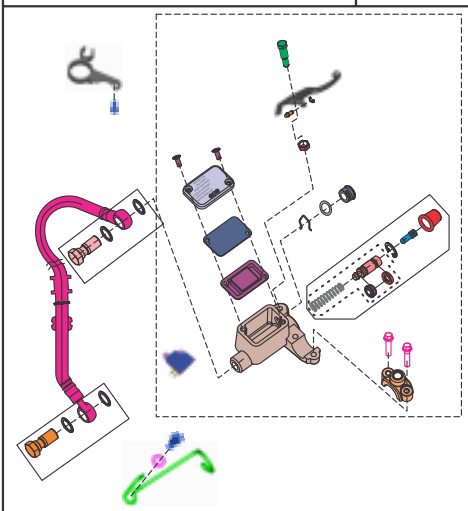


PLATE NO. : 35  
FRONT BRAKE - CALIPER & DISC

PAGE NO.  
69-71

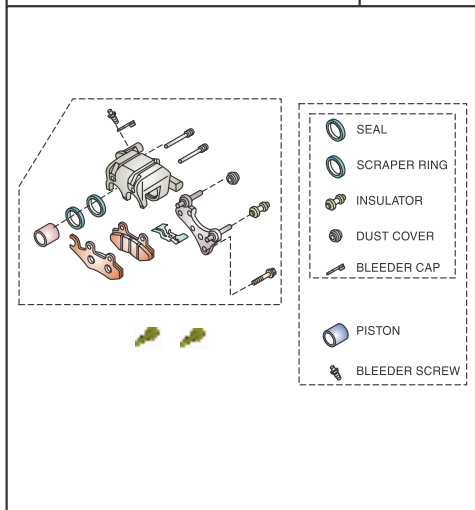
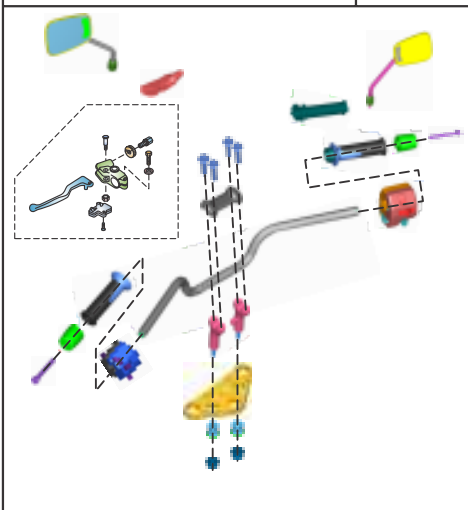


PLATE NO. : 36  
HANDLE BAR ASSEMBLY

PAGE NO.  
73-75



# Pictorial Index

PLATE NO. : 37  
FRONT FORK

PAGE NO.  
77-79

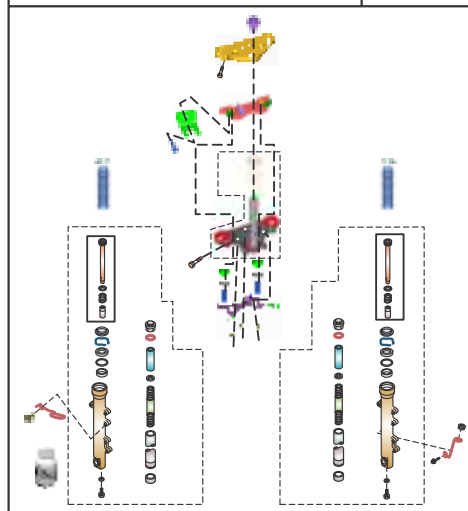


PLATE NO. : 38  
FUEL TANK

PAGE NO.  
81

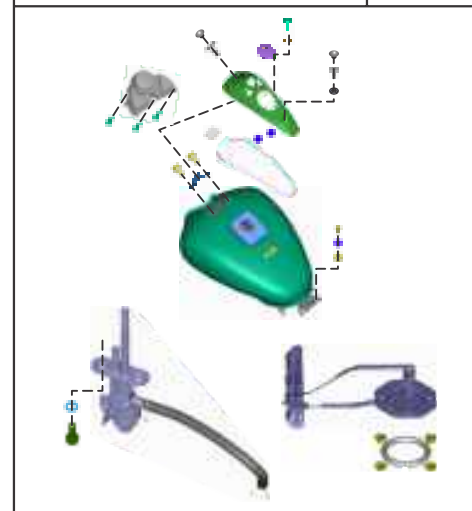


PLATE NO. : 39  
EVAP MECHANISM

PAGE NO.  
83

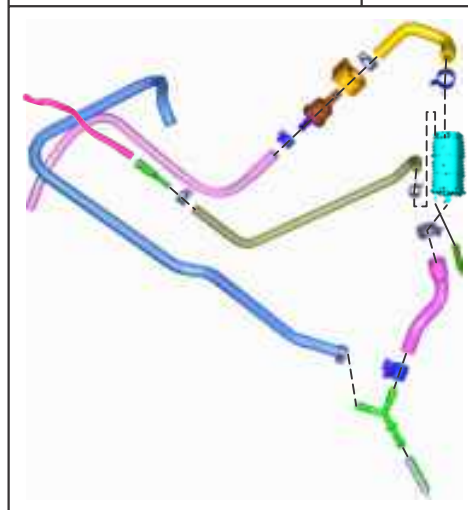
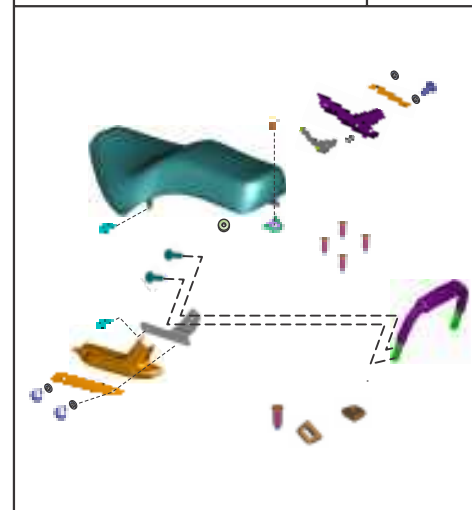


PLATE NO. : 40  
SEAT / GRIP FRAME REAR /  
COVER GRIP FRAME

PAGE NO.  
85



# Pictorial Index

**AVENGER**  
130 STREET

PLATE NO. : 41  
SPEEDOMETER

PAGE NO.  
87

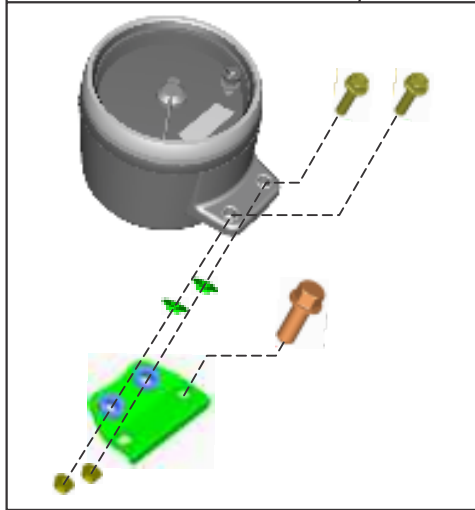


PLATE NO. : 42  
CABLES

PAGE NO.  
89



PLATE NO. : 43  
SIDE COVERS / CHAIN COVERS

PAGE NO.  
91

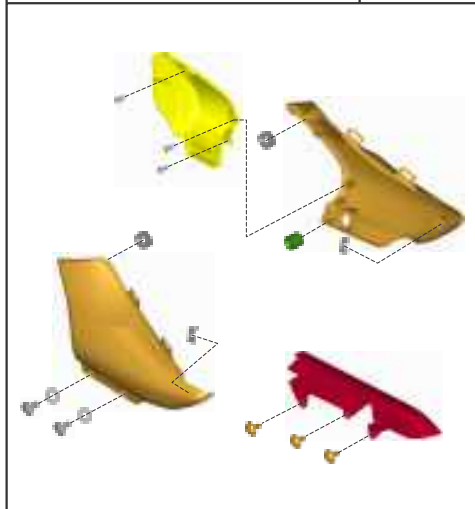
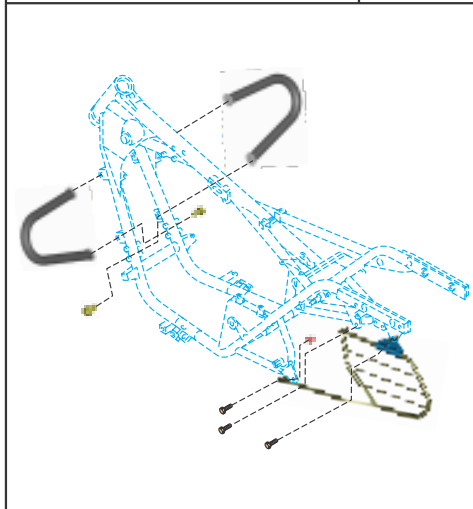


PLATE NO. : 44  
GUARDS

PAGE NO.  
93



# Pictorial Index

**AVENGER**  
130 STREET

PLATE NO. : 45  
HEAD LIGHT

PAGE NO.  
95

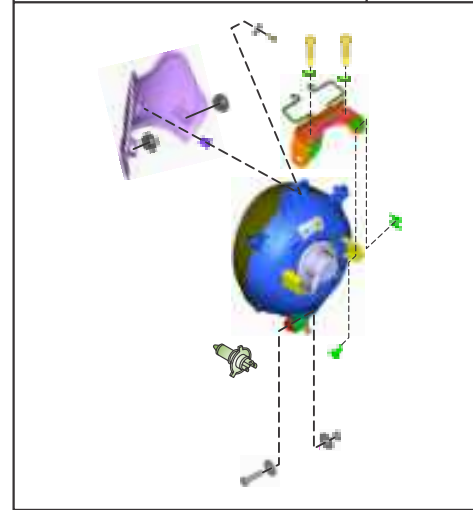


PLATE NO. : 46  
TAIL LIGHT / REFLECTOR REFLEX

PAGE NO.  
97

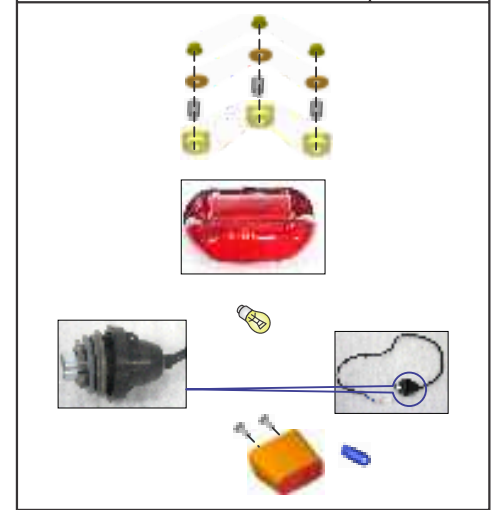


PLATE NO. : 47  
INDICATOR LIGHT

PAGE NO.  
99

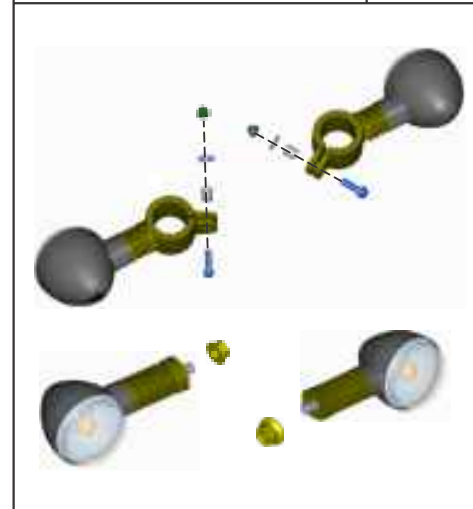
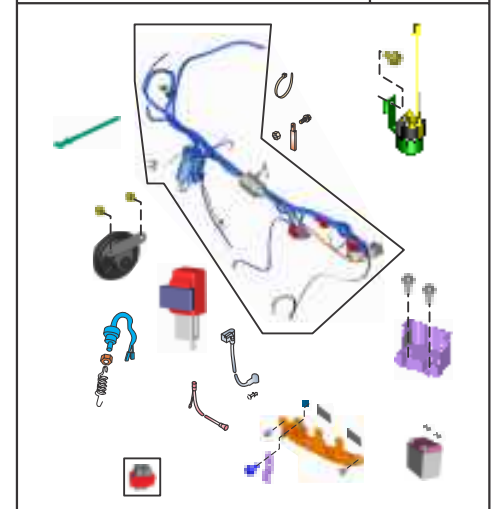


PLATE NO. : 48  
ELECTRICAL EQUIPMENT

PAGE NO.  
101



# Pictorial Index

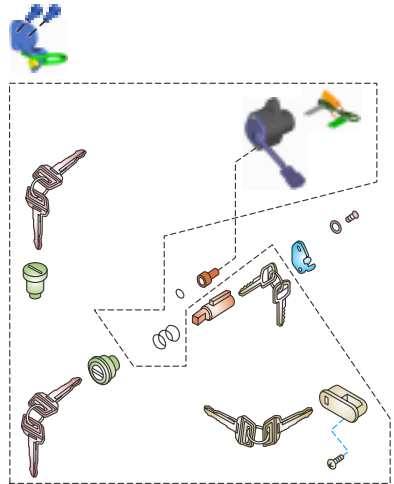
PLATE NO. : 49 IGNITION SWITCH & CONTROL SWITCH	PAGE NO. 103
	

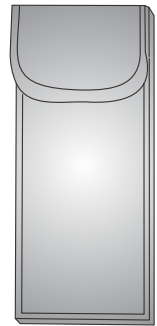

PLATE NO. : 50 TOOL KIT & WIND SHIELD KIT	PAGE NO. 105
	

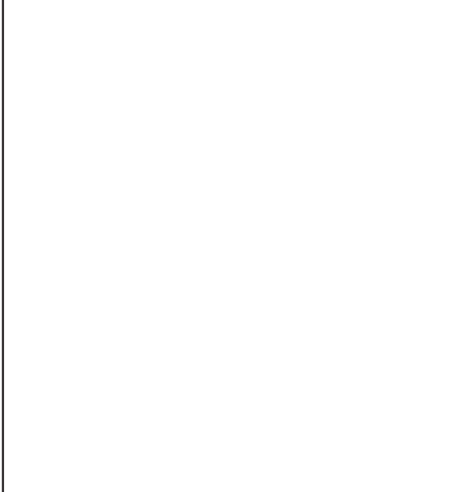
PLATE NO. : 51 PAINTED PARTS AND DECALS	PAGE NO. 107
	

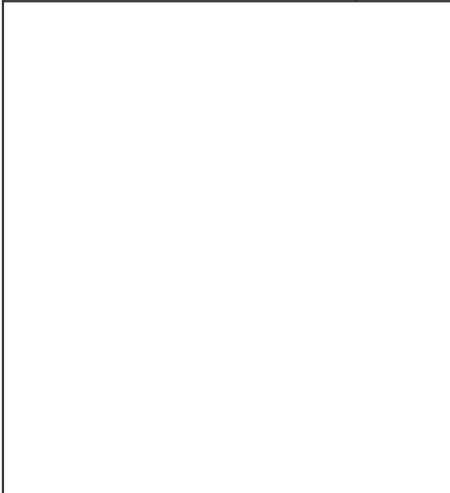
PLATE NO. : 52 CONSUMABLE PARTS	PAGE NO. 109
	

# Pictorial Index

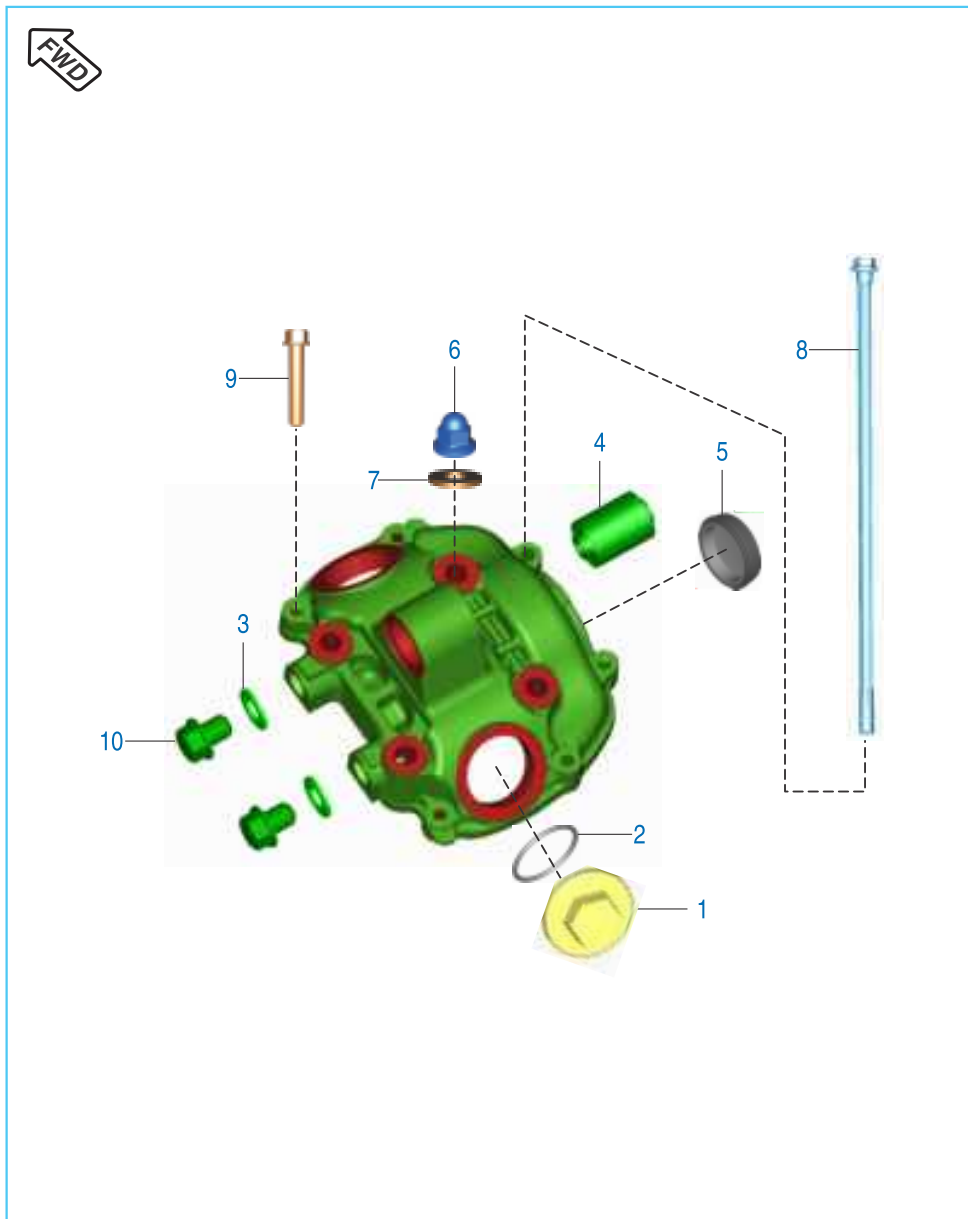
PLATE NO. : 52 CONSUMABLE PARTS	PAGE NO. 111
	

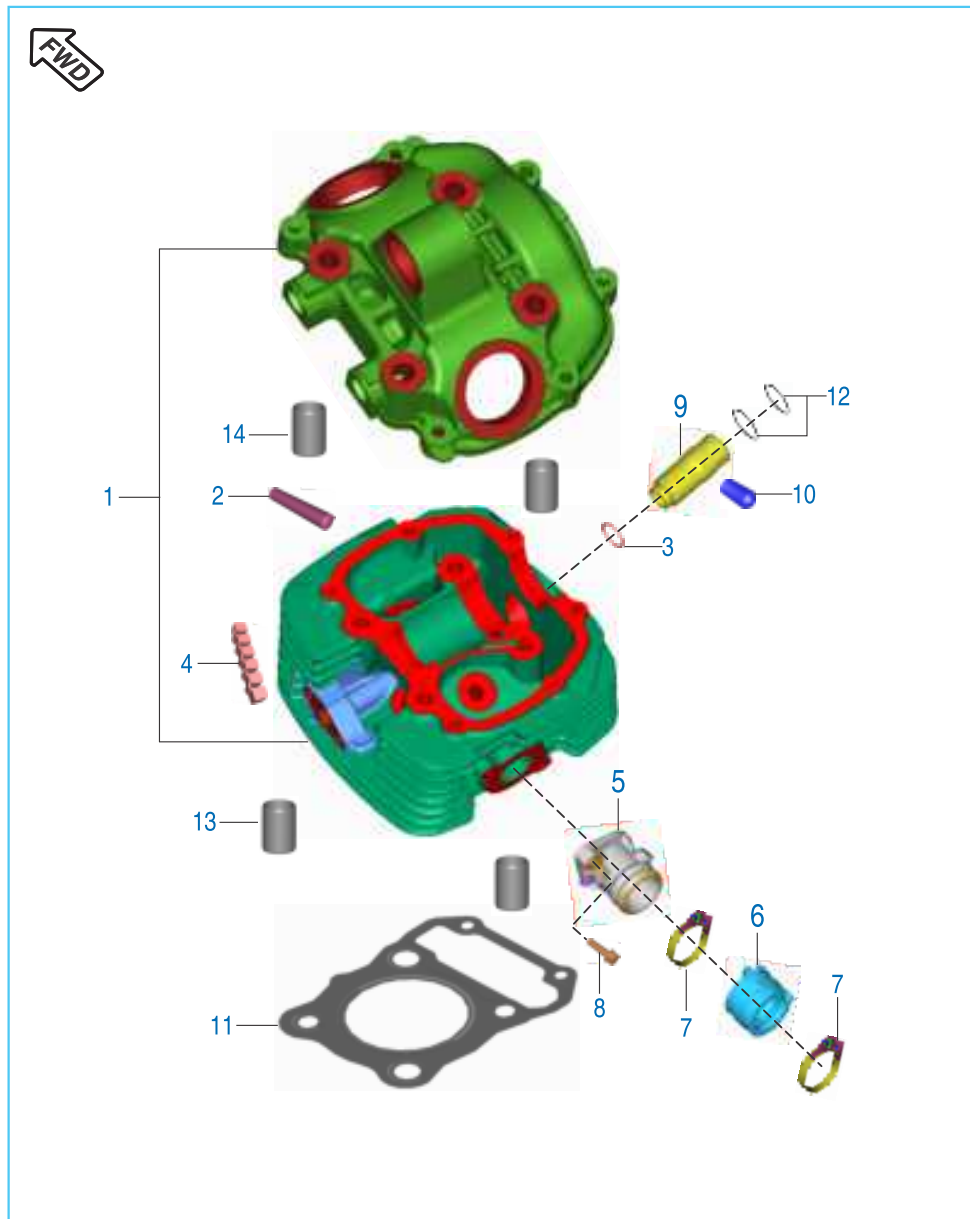
	

Cover Cylinder Head



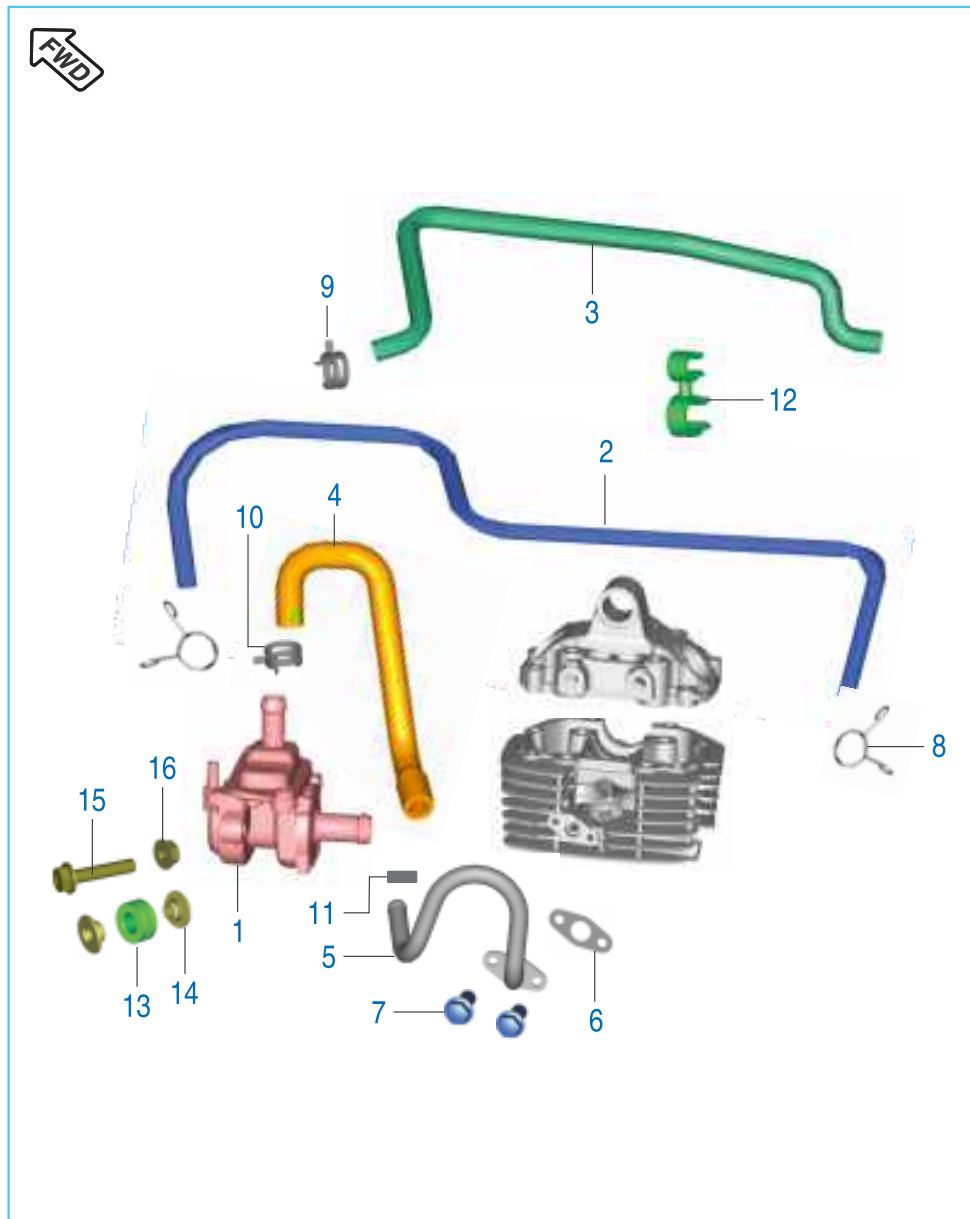
No.	Part No.	Description	Qty.	Remarks
1	PD 5110 25	Cover Tappet	2	
2	39 2391 21	'O' Ring	2	
3	DG 1014 98	Gasket (Washer)	2	
4	DS 1011 66	Silent Bush (V)	1	
5	DH 1022 01	Camshaft Cap	1	
6	39 2647 15	Domed Cap Nut	4	
7	DS 1010 84	Copper Gasket (Washer)	4	
8	39 2532 04	Hex hd bolt flange - M6	2	
9	39 1075 04	Hex. Bolt with Flange M6 x 35	4	
10	DH 1019 16	Bolt M12	2	

Cylinder Head



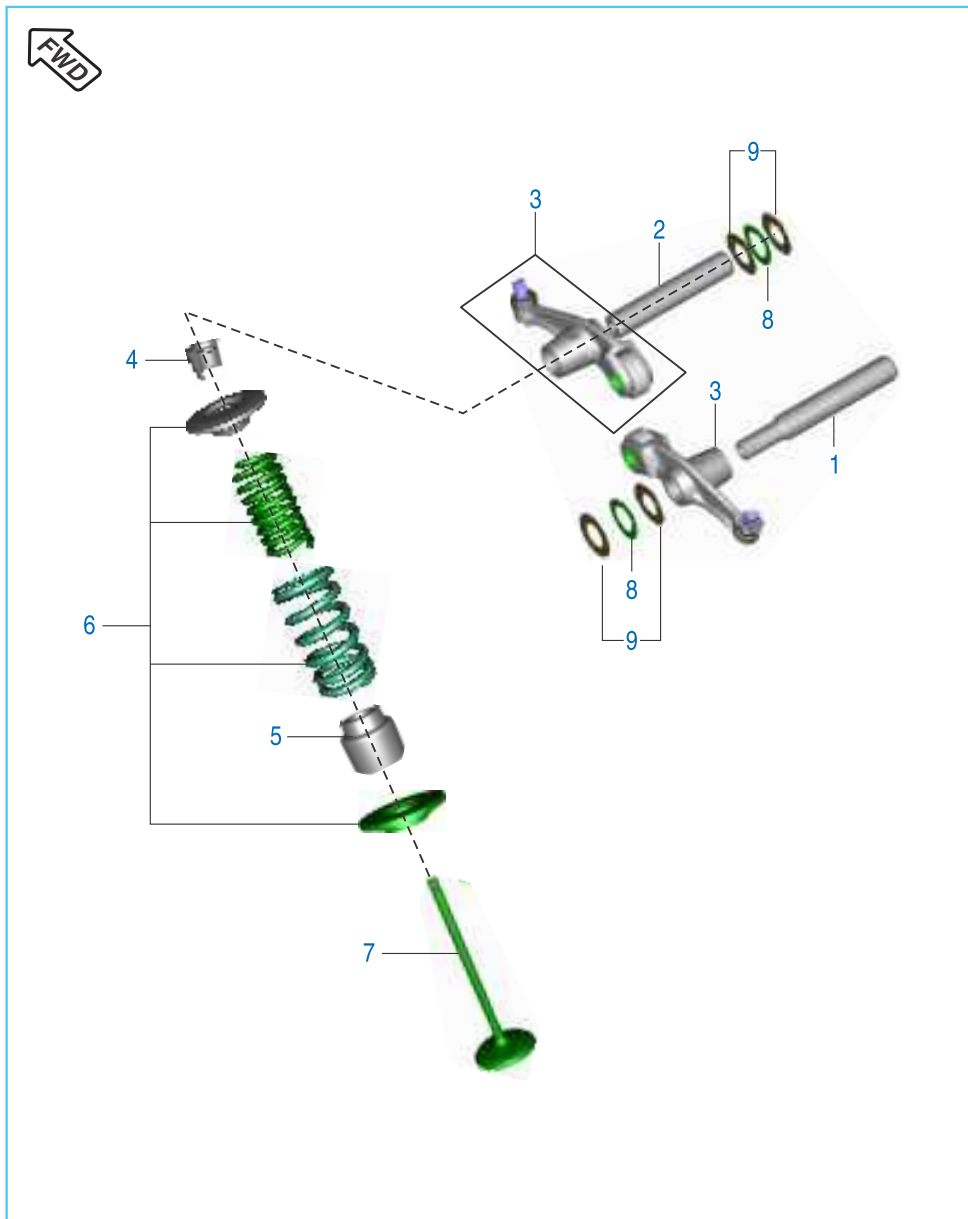
No.	Part No.	Description	Qty.	Remarks
1	DJ 1017 11	Kit Head Cylinder with Cover	1	Refer Kit List
2	39 1660 05	Stud (Exhaust)	2	
3	KJ AC18 24	O Ring	1	
4	DH 1015 08	Damper Cylinder Head	5	
5	DJ 1210 90	Assembly manifold with nipple	1	
6	PD 5812 20	Insulator Rubber	1	
7	DH 1021 18	Clamp for Insulator	2	
8	39 1674 04	Hex. Bolt / Flange	2	
9	DJ 1017 38	Sleeve plug spark	1	
10	39 2608 01	Grub Screw	1	
11	DJ 1010 12	Gasket cylinder head	1	
12	36 DS10 01	Cylinder head 'O' Ring kit	2	Refer Kit List
13	39 2181 06	Hollow Dowel Pin	2	
14	39 0999 06	Hollow Dowel Pin	2	

SAI System



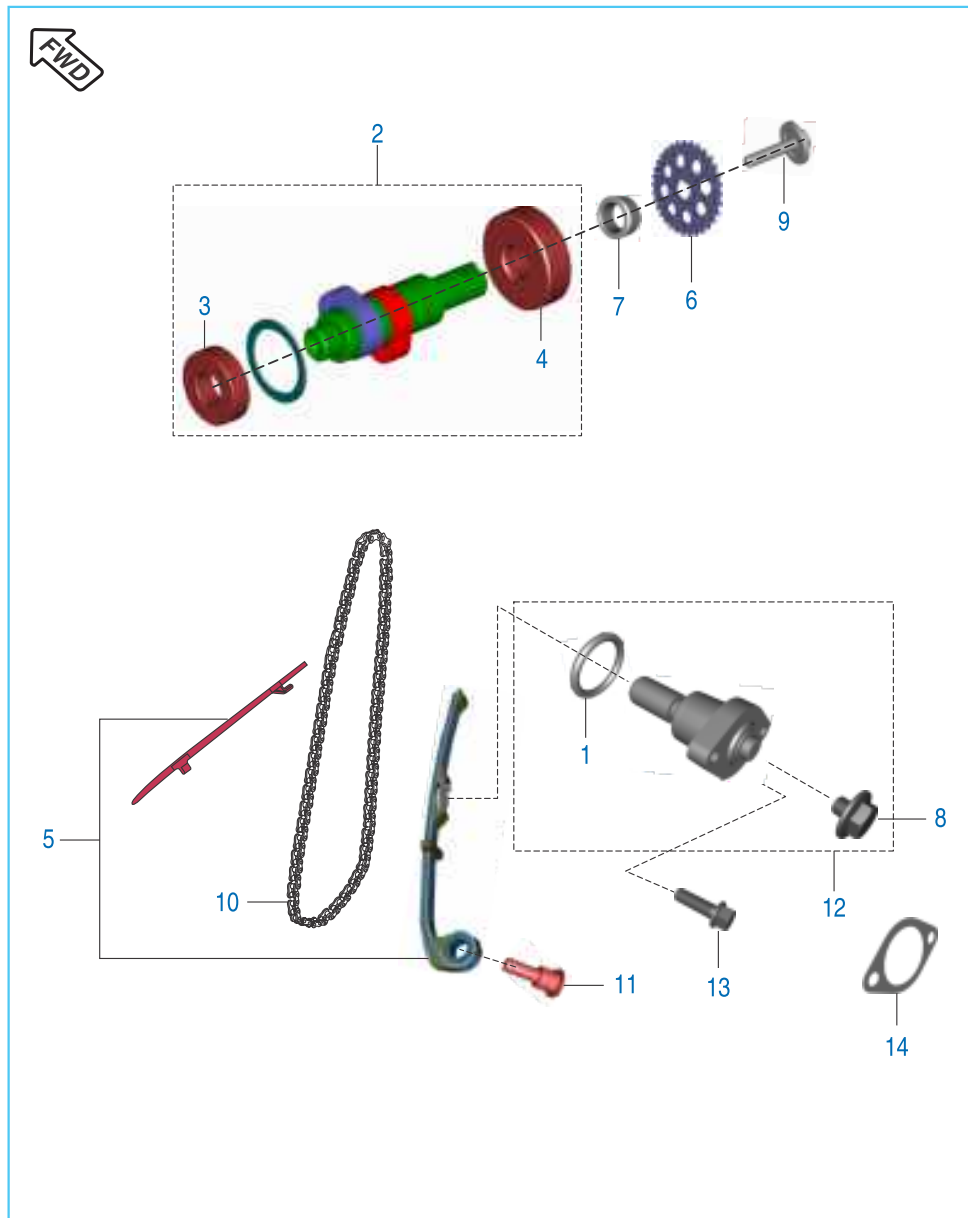
No.	Part No.	Description	Qty.	Remarks
1	PD 5822 00	SAI Unit	1	
2	PD 5824 07	hose unit sai - manifold	1	
3	PD 5824 01	Hose SAI Unit To Air Filter	1	
4	PD 5824 02	Hose SAI Unit To SAI Pipe	1	
5	DH 1021 74	Metal Pipe SAI	1	
6	DH 1021 80	Gasket Metal Pipe	1	
7	KA EG06 14	Flanged Bolt	2	
8	33 1410 08	Clamp	2	
9	JE 5810 39	Band Clip	1	
10	JL 5810 66	Clamp SAI Pipe	1	
11	JL 5810 65	Clamp	1	
12	AA 1410 67	Clip Swivel Spacer	1	
13	JD 1138 14	Grommet SAI Unit	2	
14	JD 1138 15	Sleeve SAI Unit	4	
15	KA DF06 30	Bolt	2	
16	KC GF06 06	Nut	2	

Valve



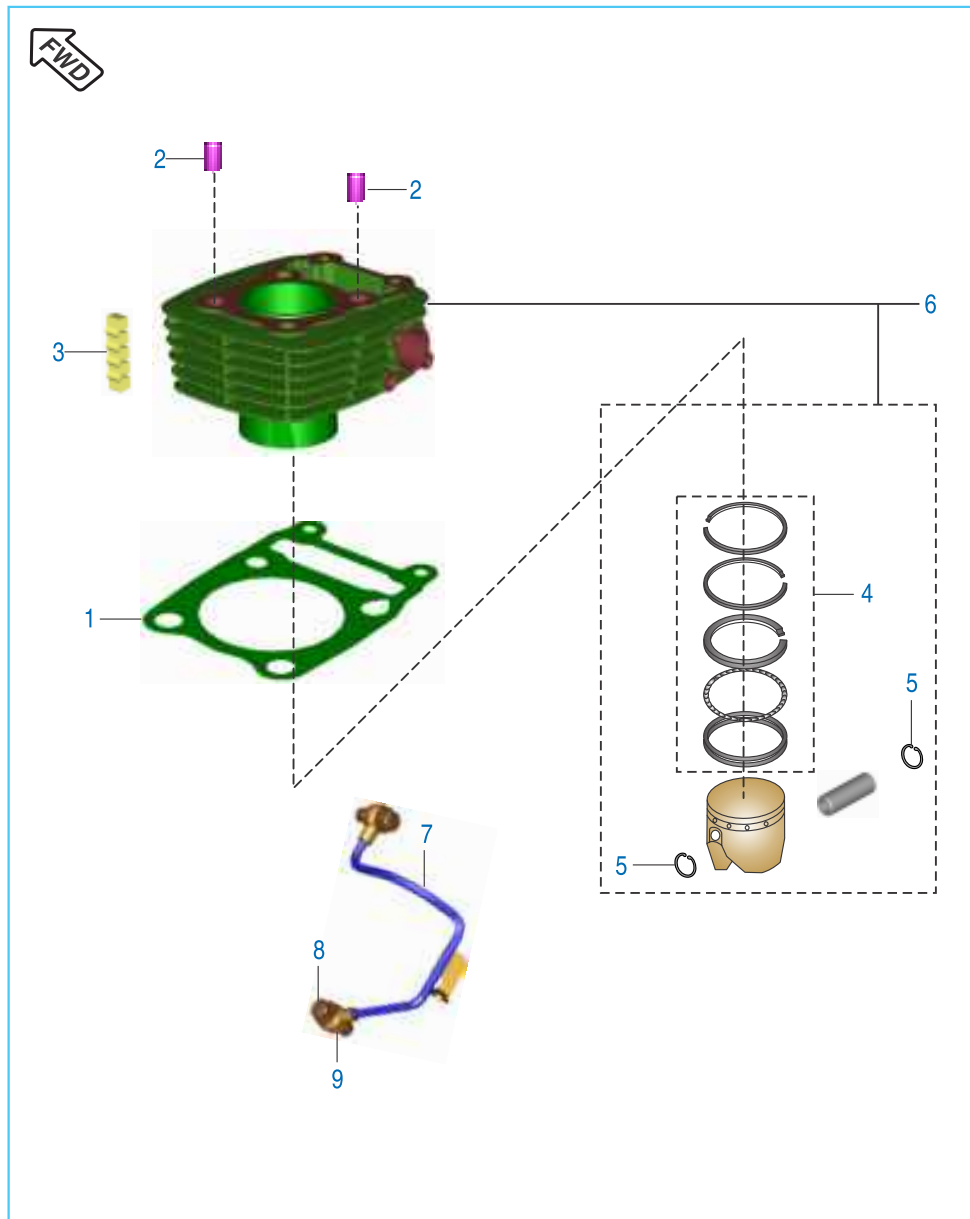
No.	Part No.	Description	Qty.	Remarks
1	DK 1017 48	Rocker Arm Shaft - Intake	1	
2	DK 1017 51	Rocker Arm Shaft - Exhaust	1	
3	DK 1017 55	Rocker Arm Assembly	2	
4	DG 1010 29	Cotter valve	4	
5	39 2017 19	Seal valve stem	2	
6	DK 1013 26	Valve Repair Kit	1	Refer Kit List
7	36 DJ10 04	Valve Kit	1	Refer Page No. 105
8	DH 1012 95	Wave washer	2	
9	39 2440 11	Plain washer	4	

Camshaft / Tensioner



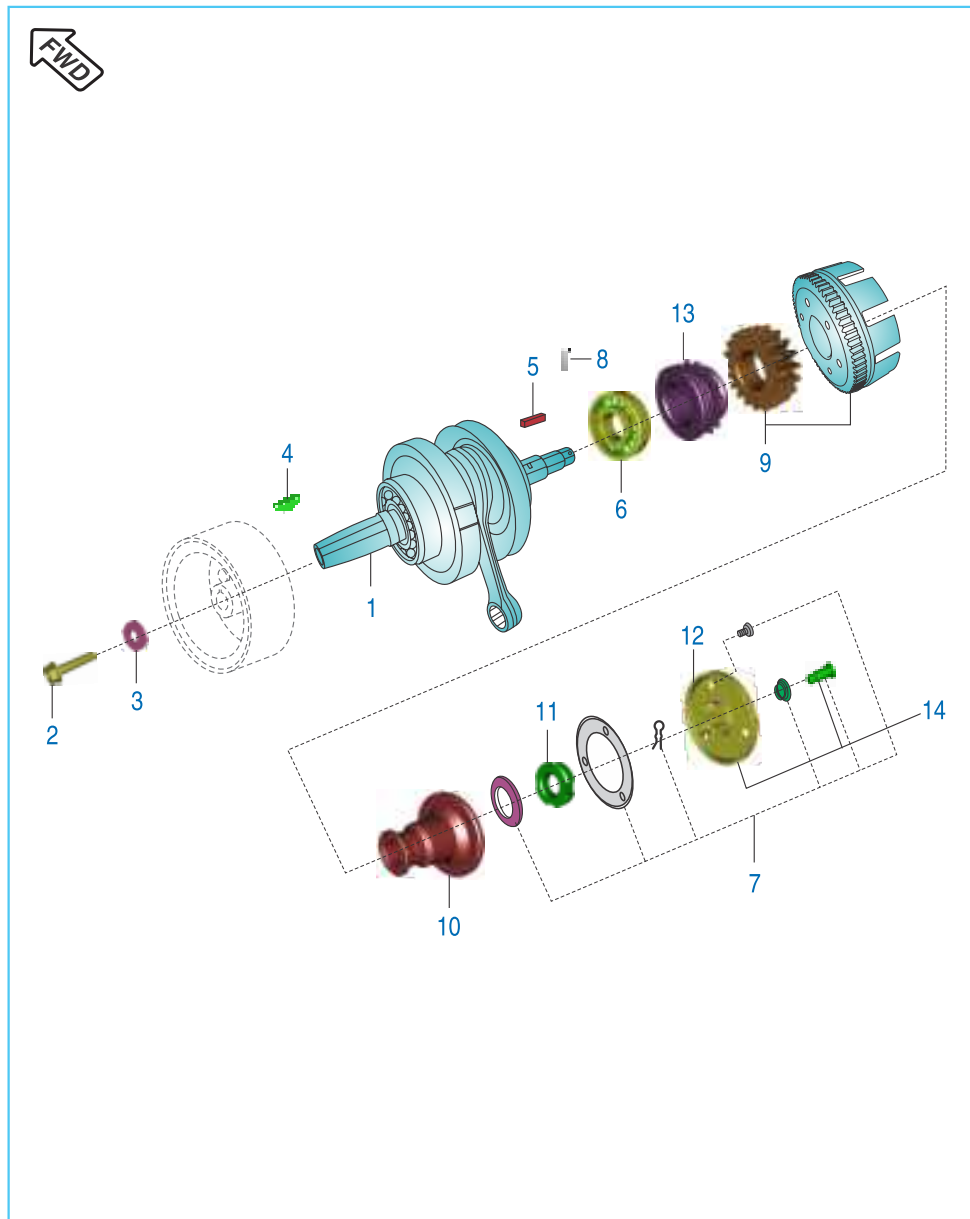
No.	Part No.	Description	Qty.	Remarks
1	39 2669 21	Ring 'O' Tension assly	1	
2	DJ 1013 73	Assembly camshaft	1	
3	39 1880 20	Bearing ball 6002 / C3H	1	
4	39 2542 20	Bearing ballL 6302 RS1/C3H	1	
5	36 DH40 30	Kit chain guide	1	Refer Kit List
6	PD 5112 29	Sprocket cam Driven	1	
7	DH 1014 12	Collar cam Sprocket	1	
8	DD 1010 62	Bolt	1	
9	DH 1021 25	Bolt special camshaft	1	
10	JC 1010 35	Cam Chain	1	
11	DH 1013 92	Cam chain Tensioner pivot Bolt	1	
12	JC 1010 34	Tensioner Assly	1	
13	39 1673 04	Hex Bolt / Flange	2	
14	CS 1011 28	Tensioner assly. gasket	1	

Block Cylinder and Piston



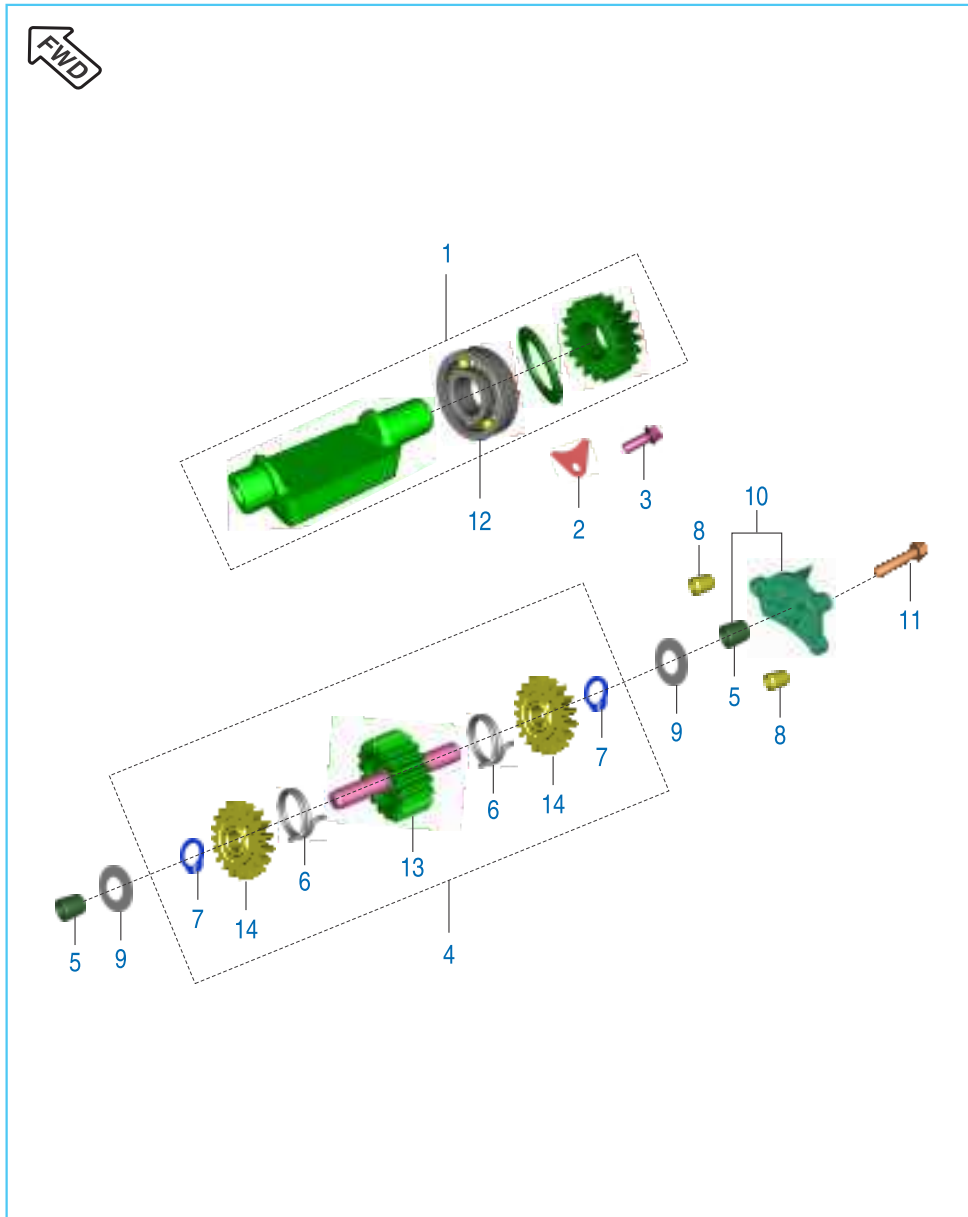
No.	Part No.	Description	Qty.	Remarks
1	DK 1010 63	Gasket Cylinder Block	1	
2	39 2181 06	Pin dowel	4	
3	DH 1014 14	Damper	6	
4	DJ 1011 06	Ring Set Piston	1	Refer Kit List
5	39 2132 17	Ring Snap	2	
6	DJ 1013 71	Kit Cylinder Block / Piston Assly.	1	
7	DK 1015 92	Oil cooler pipe	1	
8	DD 1210 07	Bolt special	2	
9	31 1210 06	Washer copper (Gasket)	4	

Crankshaft



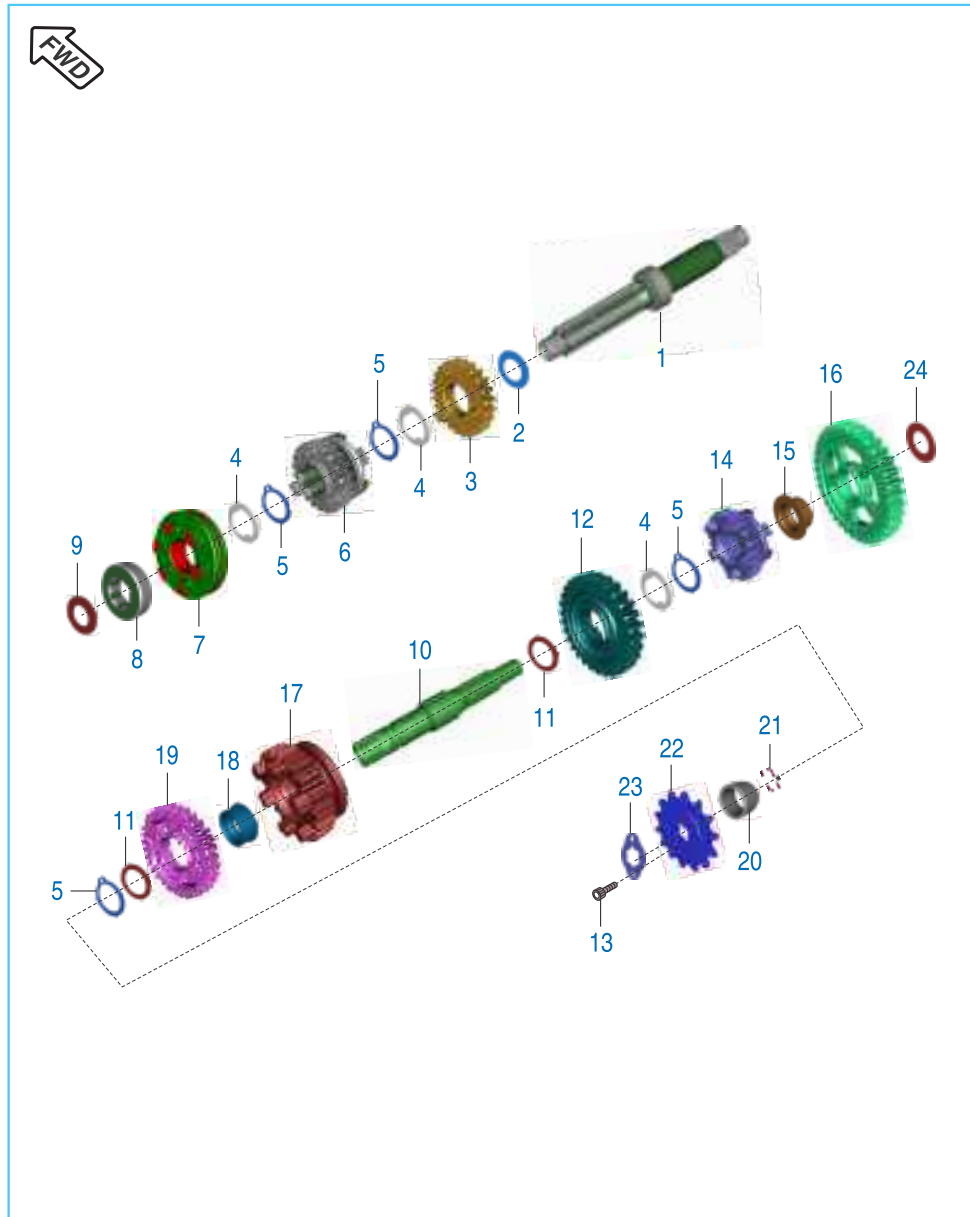
No.	Part No.	Description	Qty.	Remarks
1	JC 1010 01	Crankshaft assly. comp.	1	
2	DH 1013 96	Bolt	1	
3	39 2165 11	Plain washer	1	
4	31 1011 73	Key woodruff	1	
5	DS 1011 54	Parallel key	1	
6	39 1931 20	Bearing Ball	2	
7	36 DH40 19	Kit centrifugal oil filter	1	Refer Kit List
8	39 2203 07	Parallel pin	1	
9	36 DK00 38	Kit Gear Primary Drive & Driven	1	Refer Kit List
10	DH 1010 64	Body centrifugal oil filter	1	
11	DH 1011 95	Nut primary drive	1	
12	DH 1010 65	Cover centrifugal oil filter	1	
13	PD 5310 29	Sprocket Camshaft Drive	1	
14	DH 1013 55	Cover comp centrifgal oil filter	1	

Balancer & Balancer Idler Gear



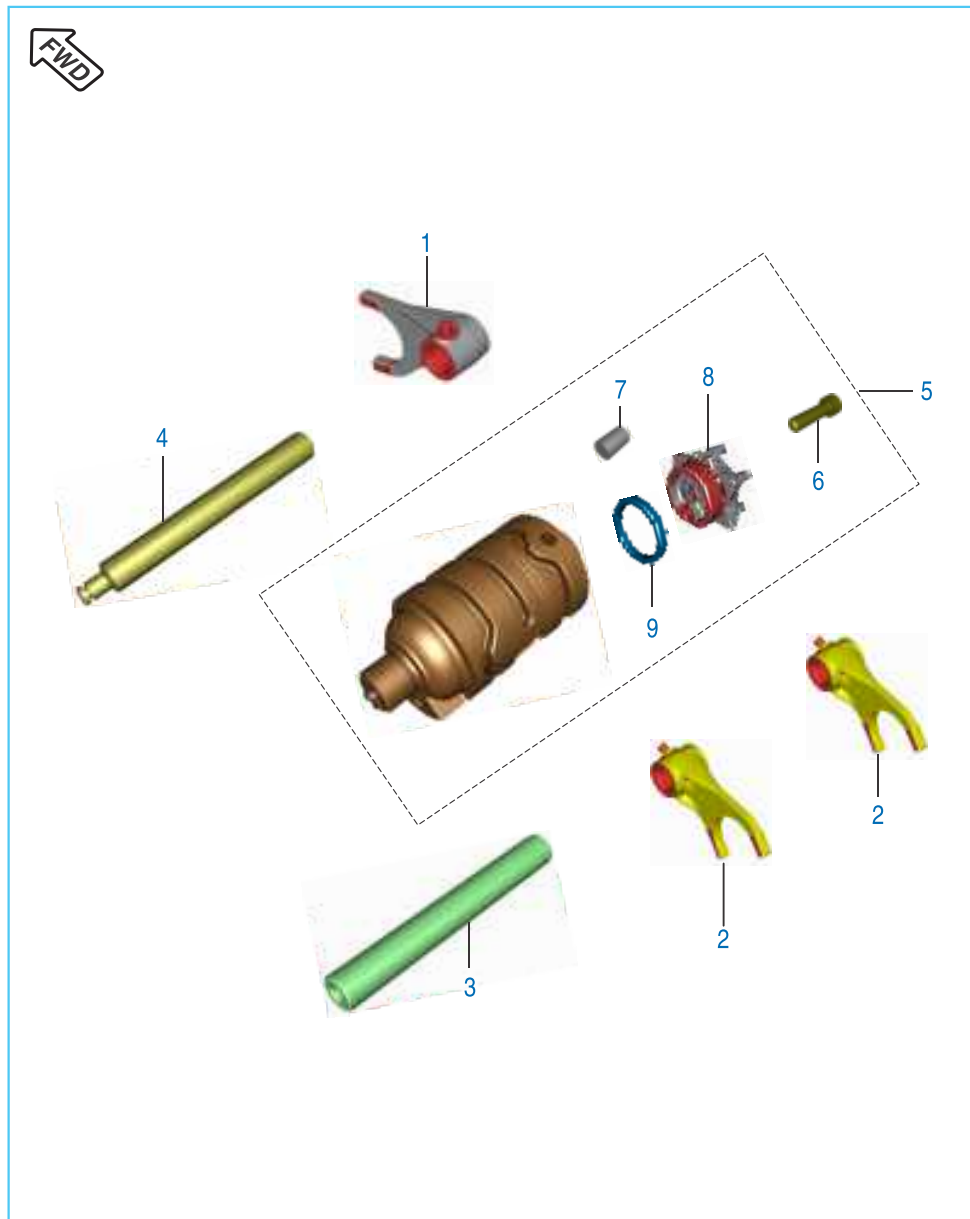
No.	Part No.	Description	Qty.	Remarks
1	DJ 1016 89	Assembly balancer	1	
2	DH 1010 72	Bearing stopper	1	
3	DH 1013 85	Bolt stopper	1	
4	DH 1020 53	Gear Complete Balancer Idler	1	
5	39 2152 20	Needle roller bearing	2	
6	DH 1014 24	Spring torsion Balancer	2	
7	39 2557 17	Circlip ext.	2	
8	39 1686 06	Dowel Pin	2	
9	39 1620 11	Spring steel washer (Plain Washer)	2	
10	52 DH01 77	Balancer Idler Holder	1	
11	39 1674 04	Hex bolt with flange	3	
12	59 2000 28	Bearing Balancer	1	
13	DH 1020 52	Assembly balancer idler gear	1	
14	DH 1013 73	Scissor balancer idler nylon gear	2	

Transmission



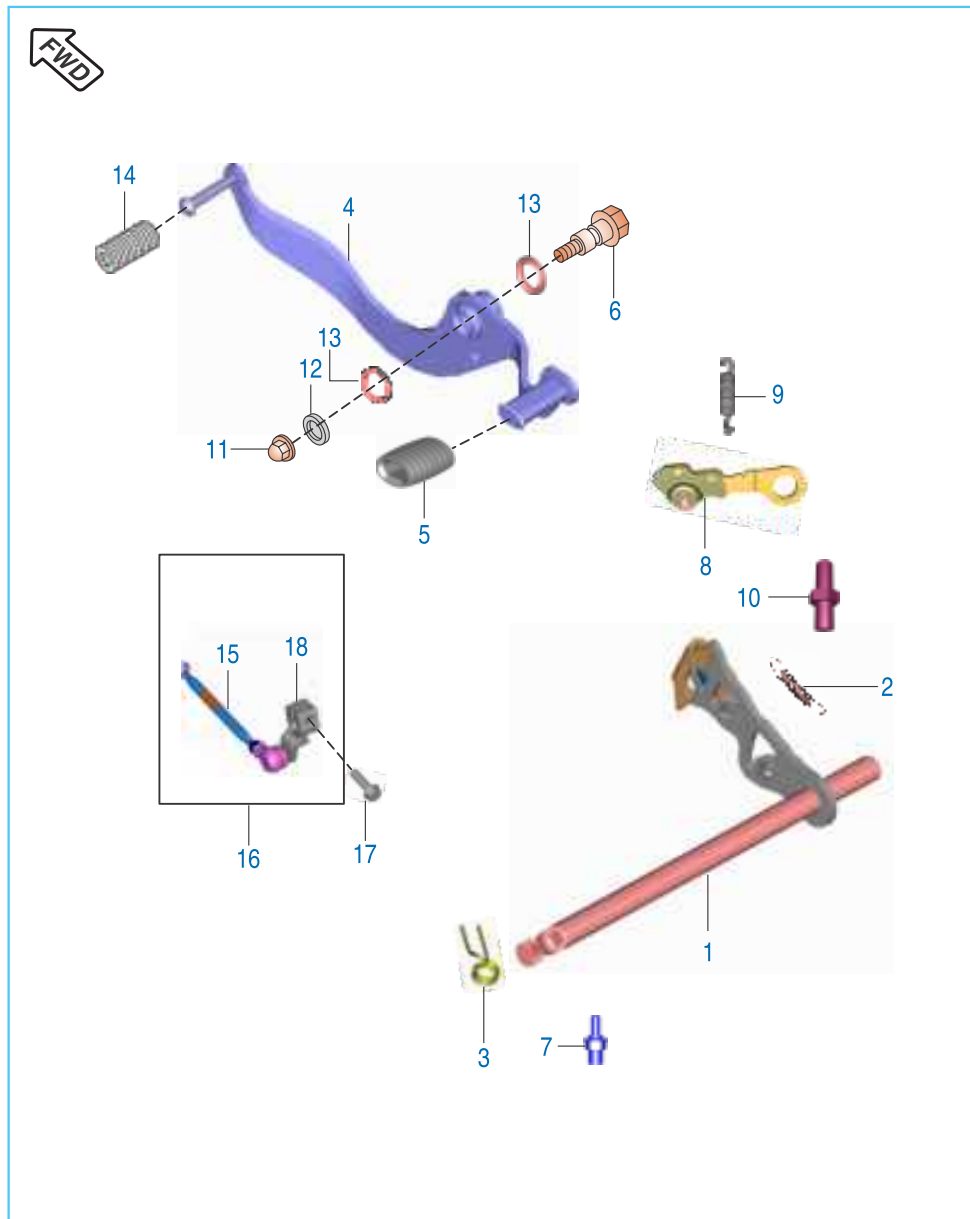
No.	Part No.	Description	Qty.	Remarks
1	DK 1014 71	Shaft input trans sub assembly	1	
2	39 2158 11	Washer plain	1	
3	DK 1011 03	Gear 4th Drive	1	
4	DH 1010 79	Washer Spline	3	
5	DH 1012 35	External Circlip	4	
6	DK 1011 02	Gear 3rd Drive	1	
7	DK 1011 04	Gear 5th drive	1	
8	DH 1010 84	Gear 2nd drive	1	
9	39 2160 11	Plain washer	1	
10	DK 1011 44	Shaft Output Trans Sub Assly	1	
11	39 2166 11	Washer special	2	
12	DK 1011 05	Gear 3rd Driven	1	
13	AA 1014 37	Bolt flanged small	2	
14	DK 1017 18	Gear 4th Driven	1	
15	DH 1011 11	Bush 1st driven	1	
16	DK 1017 17	Gear 1st driven	1	
17	DK 1017 21	Gear 5th Driven	1	
18	DH 1013 19	Bush 2nd driven	1	
19	DK 1017 19	Gear 2nd Driven	1	
20	DK 1012 45	Collar Sprocket	1	
21	DK 1013 52	'O' Ring Sprocket Collar	1	
22	DV 1010 48	Sprocket Drive	1	
23	DJ 1013 12	Plate Drive Sprocket	1	
24	39 2159 11	Plain washer	1	

Change Drum / Shift Fork



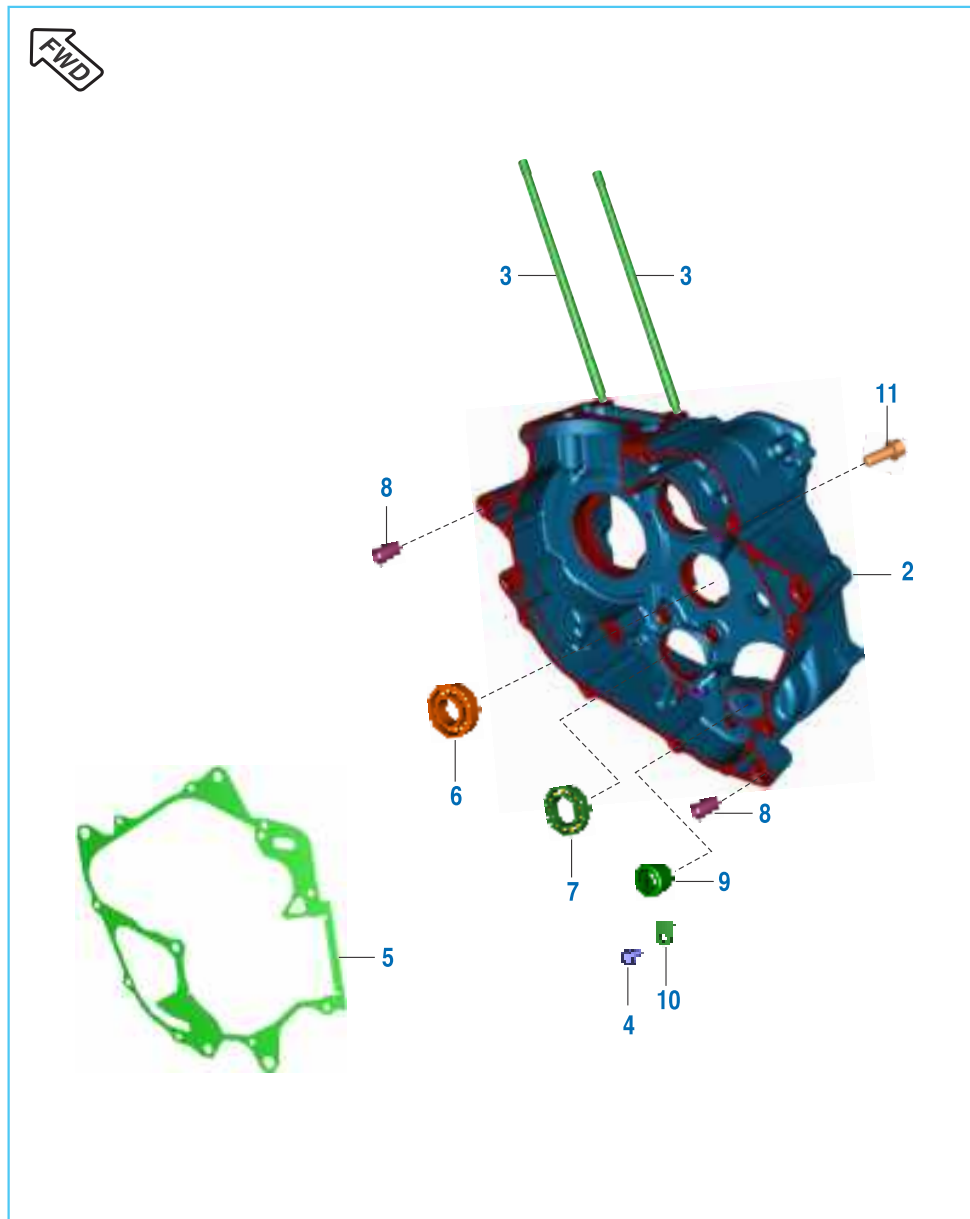
No.	Part No.	Description	Qty.	Remarks
1	DK 1011 59	Fork Gear Shift Input	1	
2	DK 1011 60	Fork Gear Shift output	2	
3	DH 1011 46	Shaft Gear Shift Fork	1	
4	DH 1014 93	Shaft Gear Shift Fork	1	
5	DK 1017 32	Assly Drum Comp. Gear Shift	1	
6	39 2639 04	Bolt Socket	1	
7	39 2606 07	Parallel pin	1	
8	DH 1021 89	Guide Gear Shifter	1	
9	DH 1014 96	Spacer	1	

Gear Change Mechanism



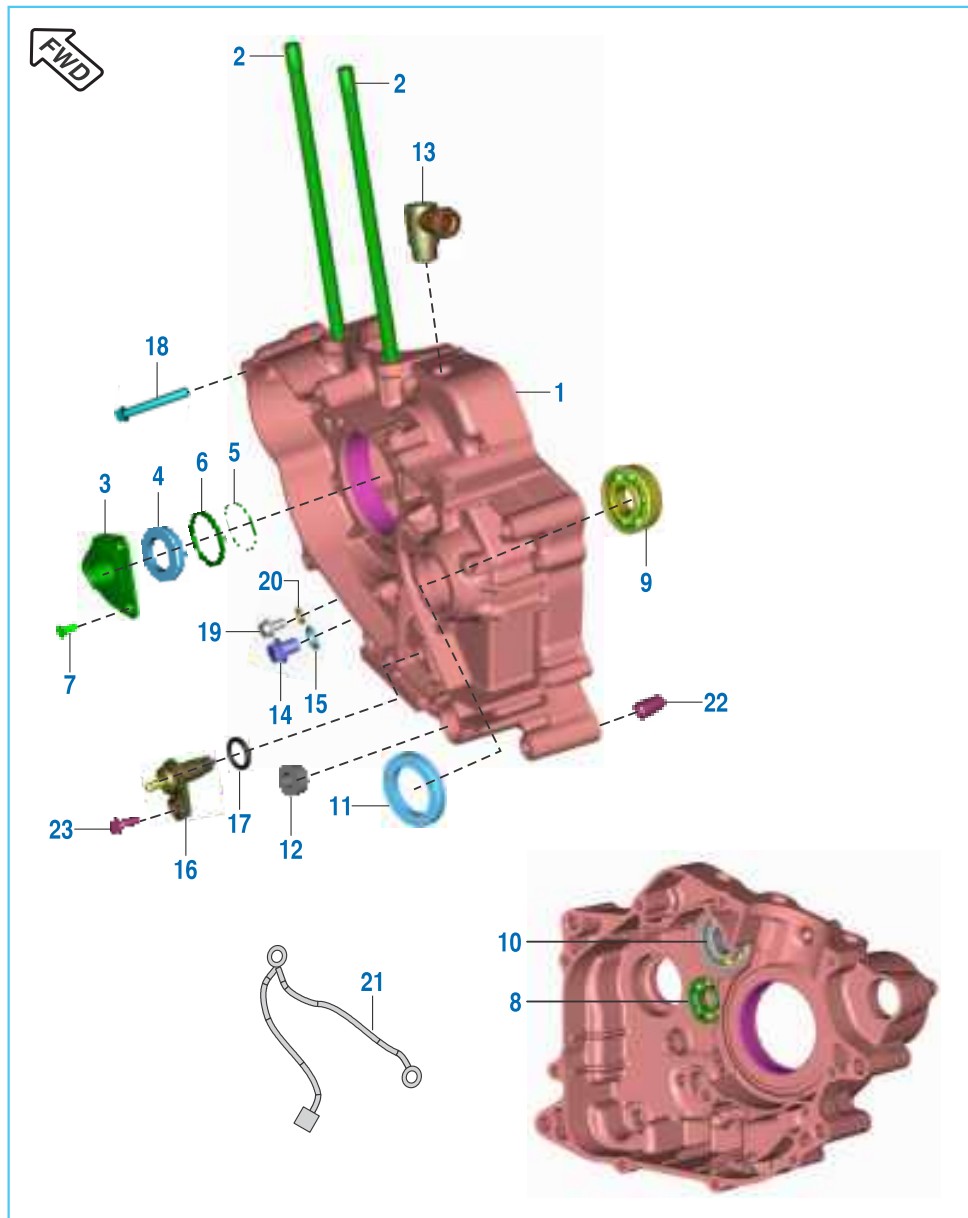
No.	Part No.	Description	Qty.	Remarks
1	DK 1017 33	Assembly lever shaft	1	
2	DH 1017 14	Spring Gear Shift	1	
3	DK 1017 22	Spring shift return	1	
4	DV 1010 40	Lever Change	1	
5	DG 1013 39	Damper change pedal (Rear)	1	
6	DG 1011 87	Bolt Pivot lever	1	
7	DH 1013 93	Bolt Gear Shift drum Stopper	1	
8	DK 1017 25	Stopper Drum	1	
9	DK 1012 53	Spring gear shifter drum stopper	1	
10	DH 1013 94	Bolt shift change pre coated	1	
11	39 2228 15	Domed cap Nut	1	
12	39 2400 11	Washer	1	
13	39 1998 19	Oil Seal	2	
14	31 1011 08	Damper	1	
15	DV 1010 34	Rod assly. Tie	1	
16	52 DV00 51	Lever Assly. Change	1	
17	39 1902 04	Flange bolt M6	1	
18	JM 1000 03	Lever change arm complete	1	

Engine Assembly & Crankcase RH



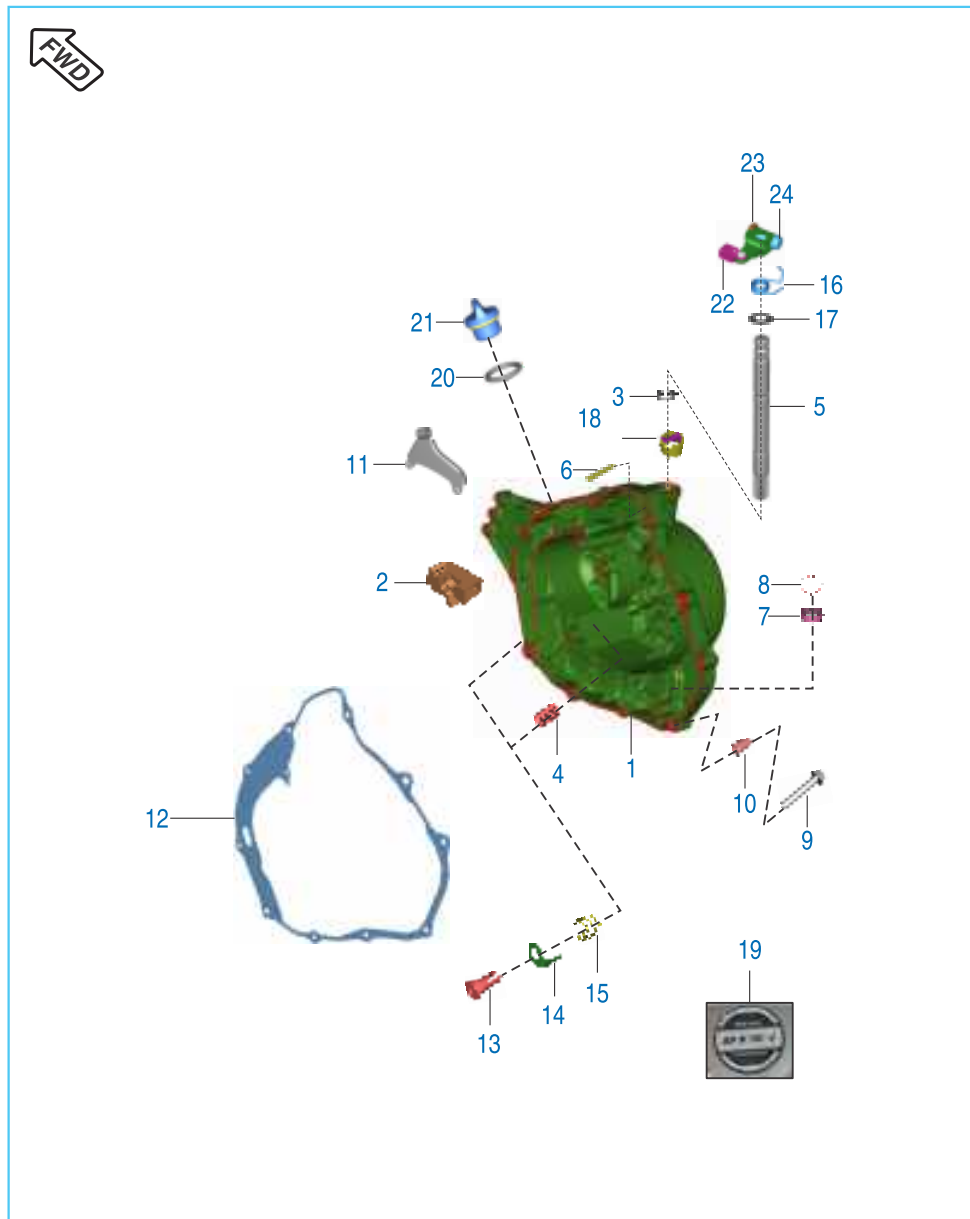
No.	Part No.	Description	Qty.	Remarks
1	PD 5010 49	Engine Assembly	1	
2	36 PD00 14	Kit Assembly Crankcase RH	1	Refer Kit List
3	59 0500 08	Stud - M10 (Bolt stud cyl.)	2	
4	AA 1014 37	Bolt flanged small	1	
5	DH 1018 96	Gasket Crankcase	1	
6	39 2583 20	Bearing Ball (For Input shaft)	1	
7	39 2601 20	Bearing Ball (For Output shaft)	1	
8	39 2180 06	Dowel Pin	2	
9	59 2000 27	NRB (Bearing NRB NK)	1	
10	DH 1014 87	Plate Stopper	1	
11	39 1672 04	Flange bolt - M6 x 16	1	

Crankcase LH



No.	Part No.	Description	Qty.	Remarks
1	36 PD00 13	Kit assembly crankcase LH	1	Refer Kit List
2	59 0500 08	Stud - M10 (Bolt stud cyl.)	2	
3	DK 1010 94	Guide starter assly	1	
4	39 2188 19	Oil Seal	1	
5	59 2100 06	'O' Ring	1	
6	DK 1010 97	Damper	1	
7	DH 1013 79	Screw CSK M6 x 16	3	
8	39 2603 20	Bearing Ball (For Input shaft)	1	
9	59 2000 06	Bearing Ball (For Output shaft)	1	
10	59 2000 29	Bearing ball balancer LH 20*47*14 6204	1	
11	DG 1014 56	Oil Seal (For Output shaft)	1	
12	39 2190 19	Oil Seal (For Shift lever)	1	
13	DH 1012 03	Breather pipe fitting	1	
14	DH 1016 61	Plug drain magnetic	1	
15	DG 1014 98	Washer (Gasket For Drain Bolt)	1	
16	DK 1013 80	Switch comp. (Neutral)	1	
17	KJ AB10 19	'O' ring	1	
18	39 1677 04	Bolt	8	
19	39 1940 04	Bolt flanged - M8	1	
20	39 2448 11	Plain Washer	1	
21	DJ 2011 40	Cable assly. (Battery to Earth)	1	
22	39 2180 06	Hallow dowel pin	2	
23	DH 1013 85	Bolt M6X16 (Neutral Switch)	1	

Cover Clutch



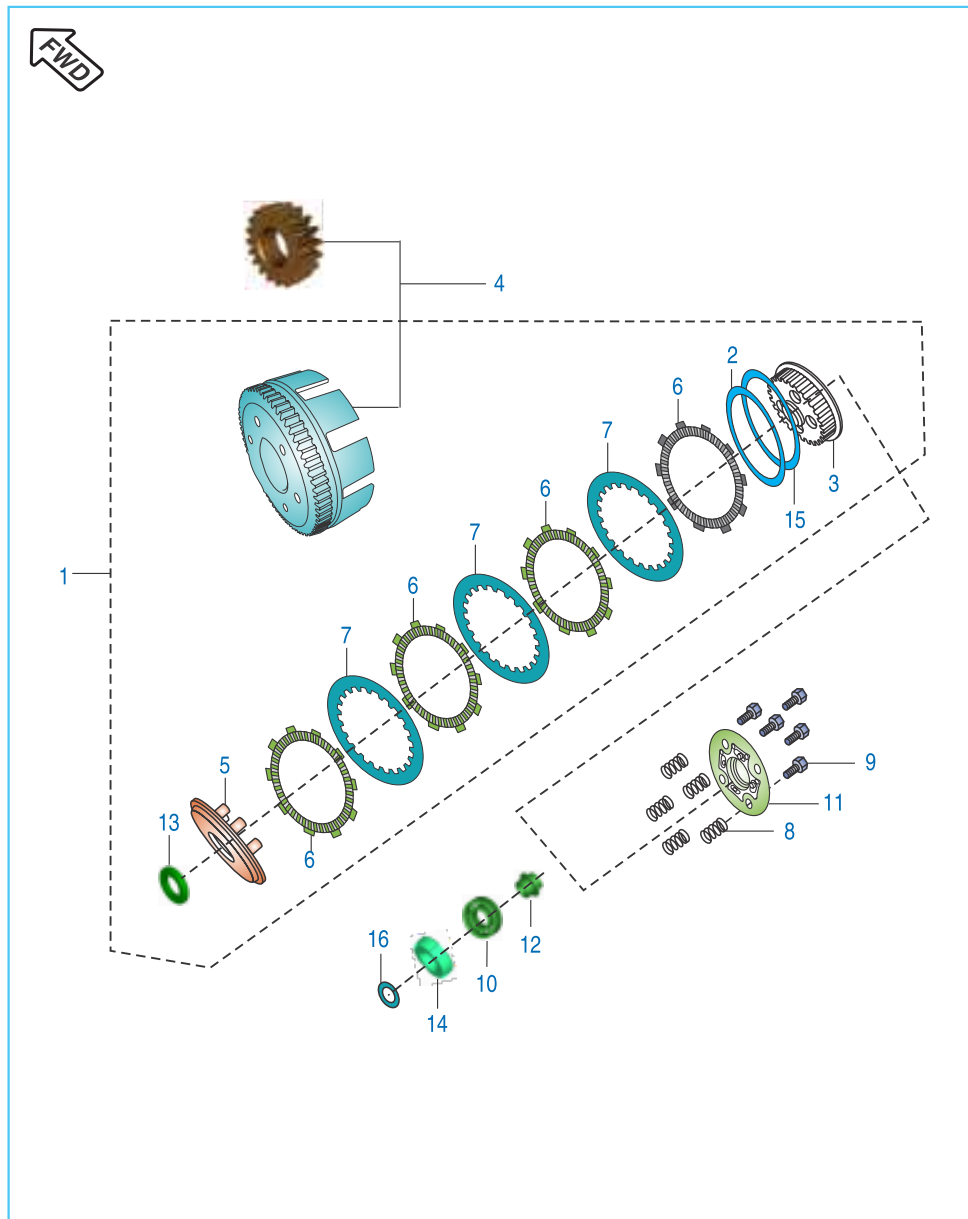
No.	Part No.	Description	Qty.	Remarks
1	36 DJ40 17	Kit assembly clutch cover	1	Refer Kit List
2	DH 1011 97	Grommet Breather	1	
3	39 1041 19	Oil Seal	1	
4	DH 1011 41	Rack	1	
5	DH 1011 42	Shaft clutch release	1	
6	DK 1012 51	Parallel pin	1	
7	DG 1014 18	Gauge	1	
8	DS 1012 15	Wire circlip	1	
9	DS 1013 53	Bolt	10	
10	39 0999 06	Pin Dowel	2	
11	DH 1010 18	Bracket Clutch Cable	1	
12	DH 1011 54	Gasket cover RH	1	
13	DK 1014 80	Plunger Oil	1	
14	DH 1210 11	Plate Plunger Oil	1	
15	DH 1210 12	Spring Joint 'A'	1	
16	DH 1015 44	Spring torsion clutch lever	1	
17	39 2443 11	Washer	1	
18	39 1990 20	NRB (Bering Needle)	2	
19	DK 1017 38	Decal Clutch Cover	1	
20	DH 1011 52	O - ring oil level gauge	1	
21	DS 1010 71	Cap oil filler	1	
22	DK 1016 36	Lever assembly	1	
23	DH 1012 75	Nut	1	
24	39 1674 04	Bolt	1	

Cover Magneto



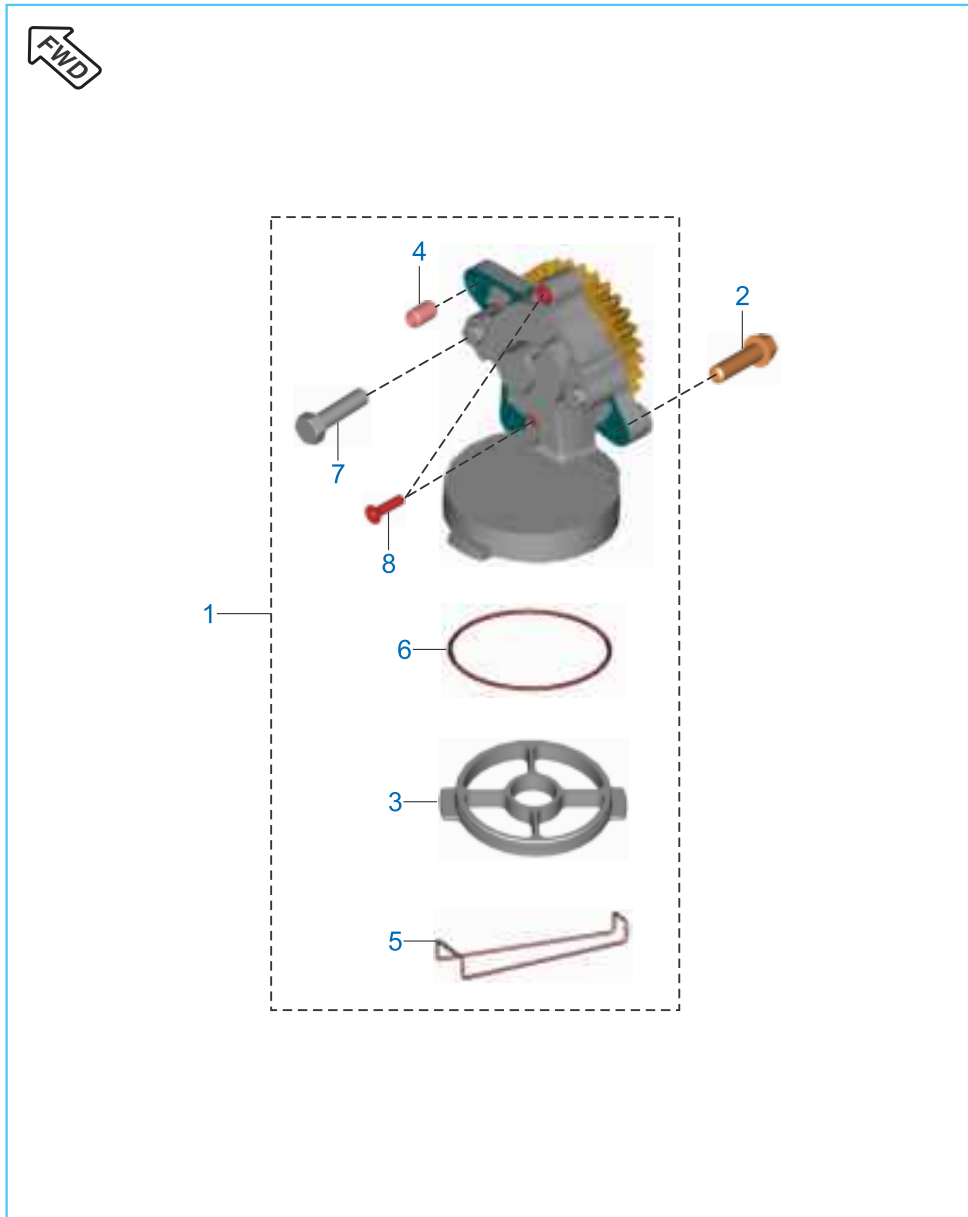
No.	Part No.	Description	Qty.	Remarks
1	52 PD01 35	Assly Cover Magneto	1	
2	DV 1010 42	Gasket Magneto cover	1	
3	DS 1013 53	Bolt flanged M6 (Precoated)	7	
4	39 0999 06	Pin Dowel	2	
5	52 PD01 09	Assly Cover LH RR	1	
6	DJ 1612 28	Gear Shift Label	1	
7	AP 1010 43	NR bearing	1	
8	JE 5412 12	Decal Magneto Cover	1	
9	DH 1012 92	Damper A Cover LH RR	1	
10	DH 1012 93	Plate Damper A Cover LH RR	1	
11	DH 1012 94	Damper B Cover LH RR	1	
12	JM 1000 40	Damper C Cover LH RR	1	
13	JM 1000 41	Plate Damper Cover LH RR	1	
14	DH 1013 88	Bolt	4	
15	DH 1021 66	Seal Dust	1	

Clutch Assembly



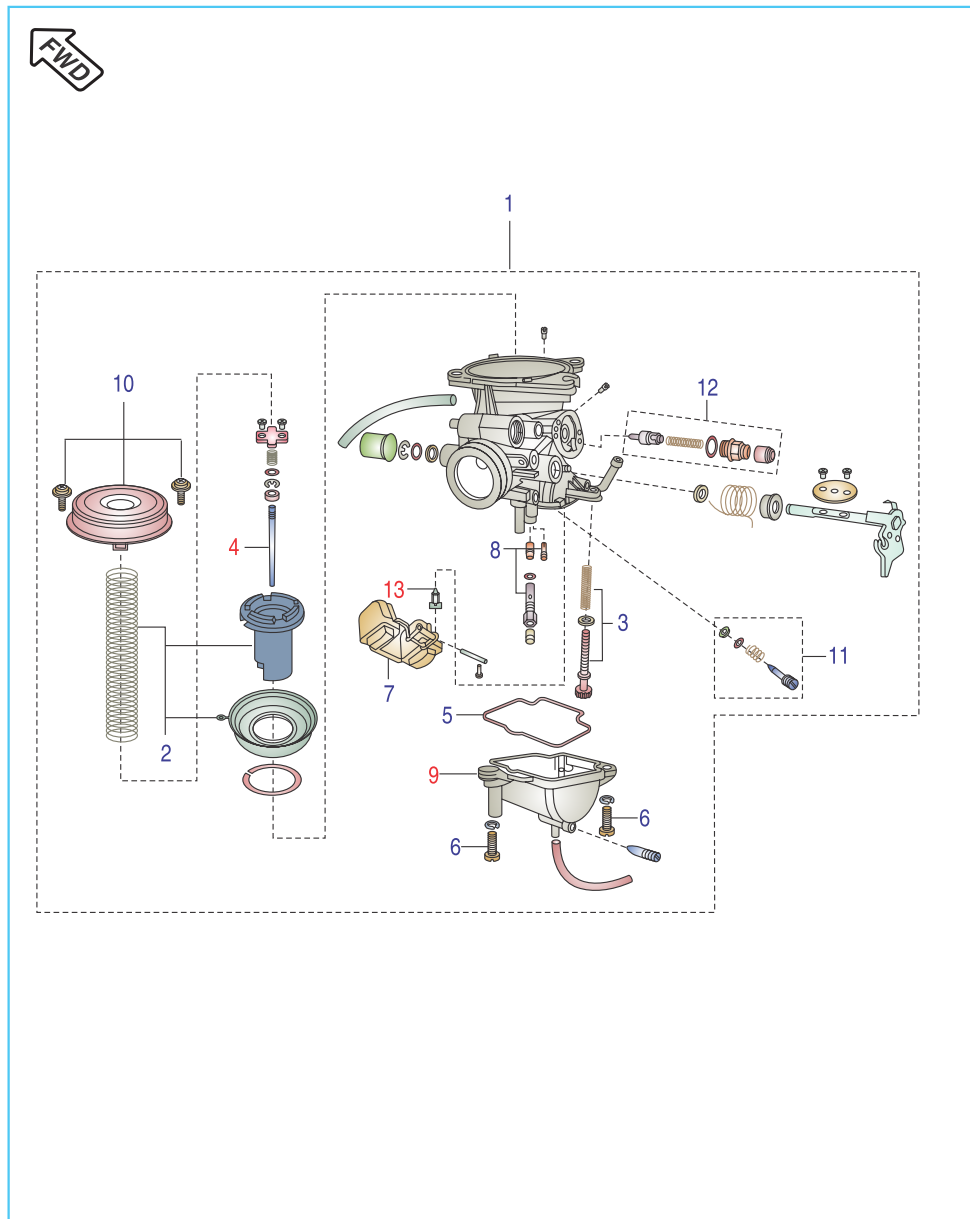
No.	Part No.	Description	Qty.	Remarks
1	DJ 1013 50	Clutch assembly comp.	1	
2	DK 1015 71	Spring Judder	1	
3	PD 5514 21	Clutch Center	1	
4	36 DK00 38	Kit Gear Primary Drive & Driven	1	Refer Kit List
5	DK 1015 69	Plate Clutch pressure	1	
6	36 PD00 30	Kit friction plate	1	Refer Kit List
7	PD 5514 39	Plate Clutch	5	
8	PD 5514 27	Spring Clutch	5	
9	DK 1015 74	Bolt	5	
10	39 1880 20	Bearing Clutch lifter thrust	1	
11	DK 1015 73	Holder Clutch (Plate Clutch Lifter)	1	
12	DK 1010 72	Clutch Lifter Rod	1	
13	DK 1011 26	Spacer Clutch	1	
14	DH 1016 48	Nut Primary drive lock	1	LH Thread
15	DK 1015 70	Seat Judder Spring	1	
16	39 2200 11	Washer	1	

Oil Pump



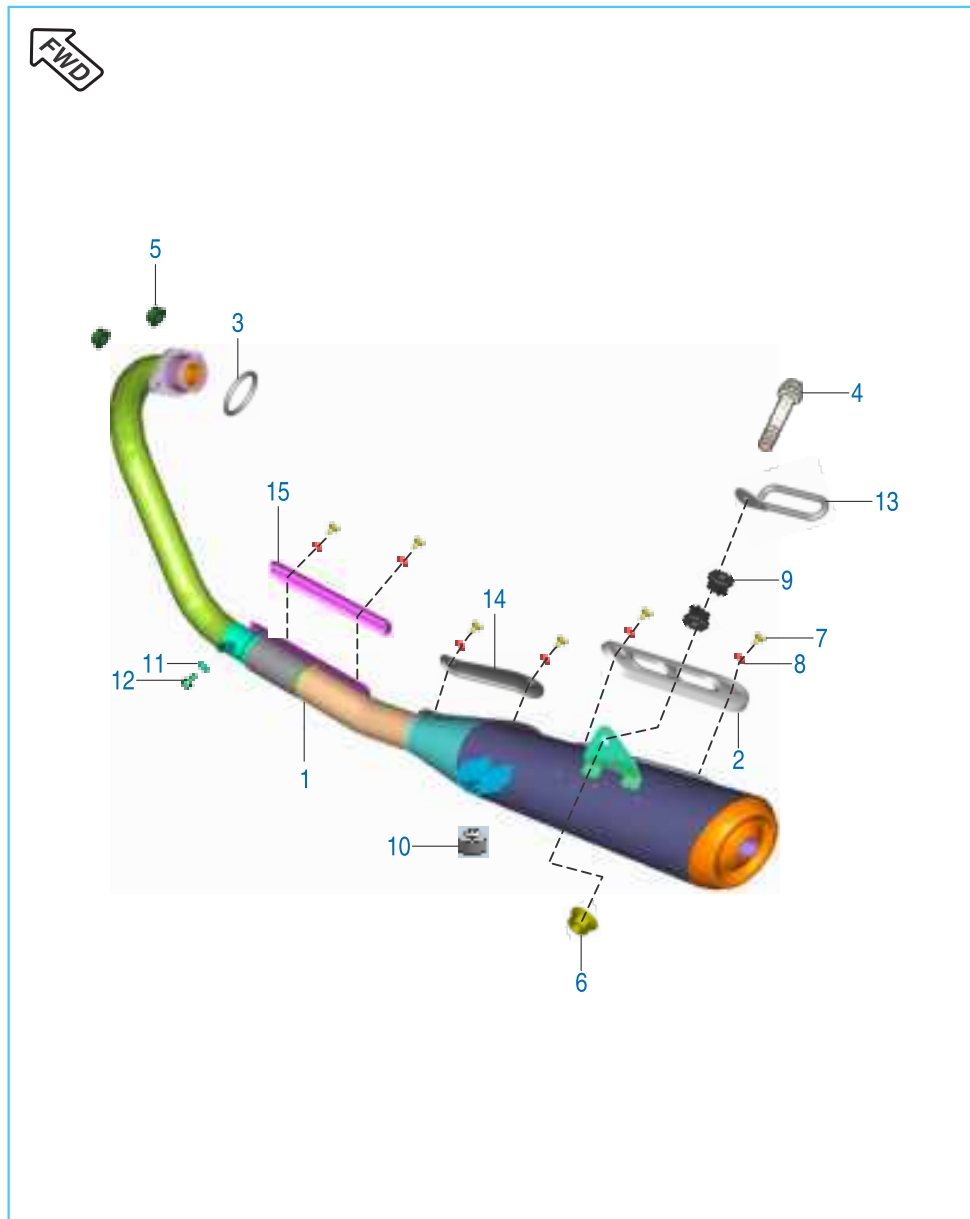
No.	Part No.	Description	Qty.	Remarks
1	52 DH01 69	Oil pump assembly	1	Refer Kit List
2	39 1674 04	Hex. Bolt with flange	3	
3	DH 1210 10	Mesh filter Oil pump	1	
4	39 0999 06	Hollow dowel pin	1	
5	DH 1210 35	Clip Mesh Oil filter	1	
6	39 2194 21	'O' Ring	1	
7	KA AD05 20	Bolt	2	
8	KB CA04 16	Screw csk cross	2	

Carburettor



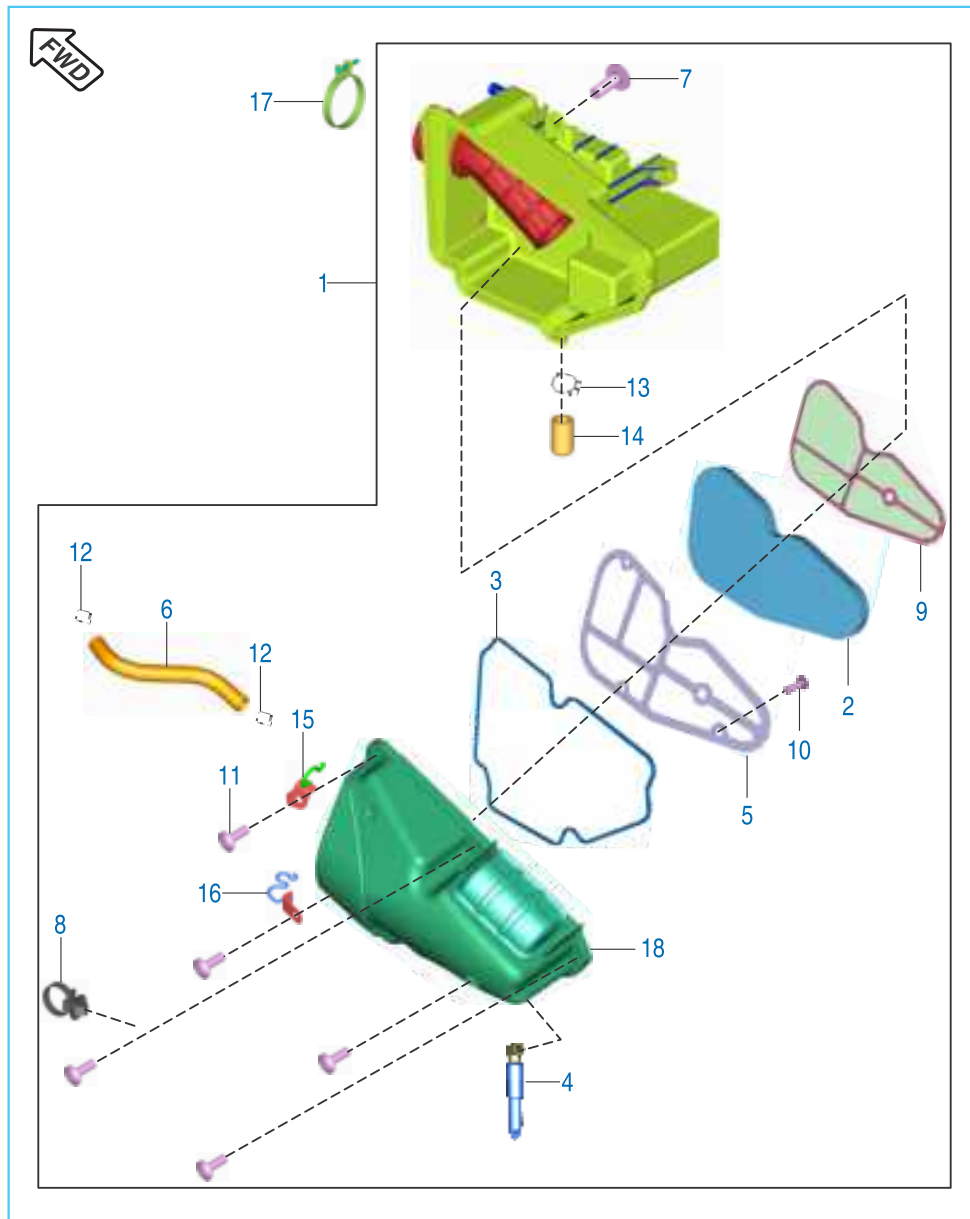
No.	Part No.	Description	Qty.	Remarks
1	PD 5812 21	Carburettor Assly.	1	
2	36 PD00 74	Vacuum Piston Kit	1	
3	DH 1211 68	Idling Screw Kit	1	
4	PD 5812 22	Jet Needle (JN)	1	
5	DH 1210 57	"O" Ring	1	
6	JA 5812 33	Screw	2	
7	DH 1211 62	Float Assly.	1	
8	36 PD00 75	Jet Kit	1	
9	DH 1211 67	Float Body Assly Kit	1	
10	DH 1211 70	Top Cap Assly Kit	1	
11	36 DH41 36	Pilot Screw	1	
12	DJ 1210 59	Plunger Assembly	1	
13	DH 1210 93	Needle Assembly	1	

Silencer Assembly



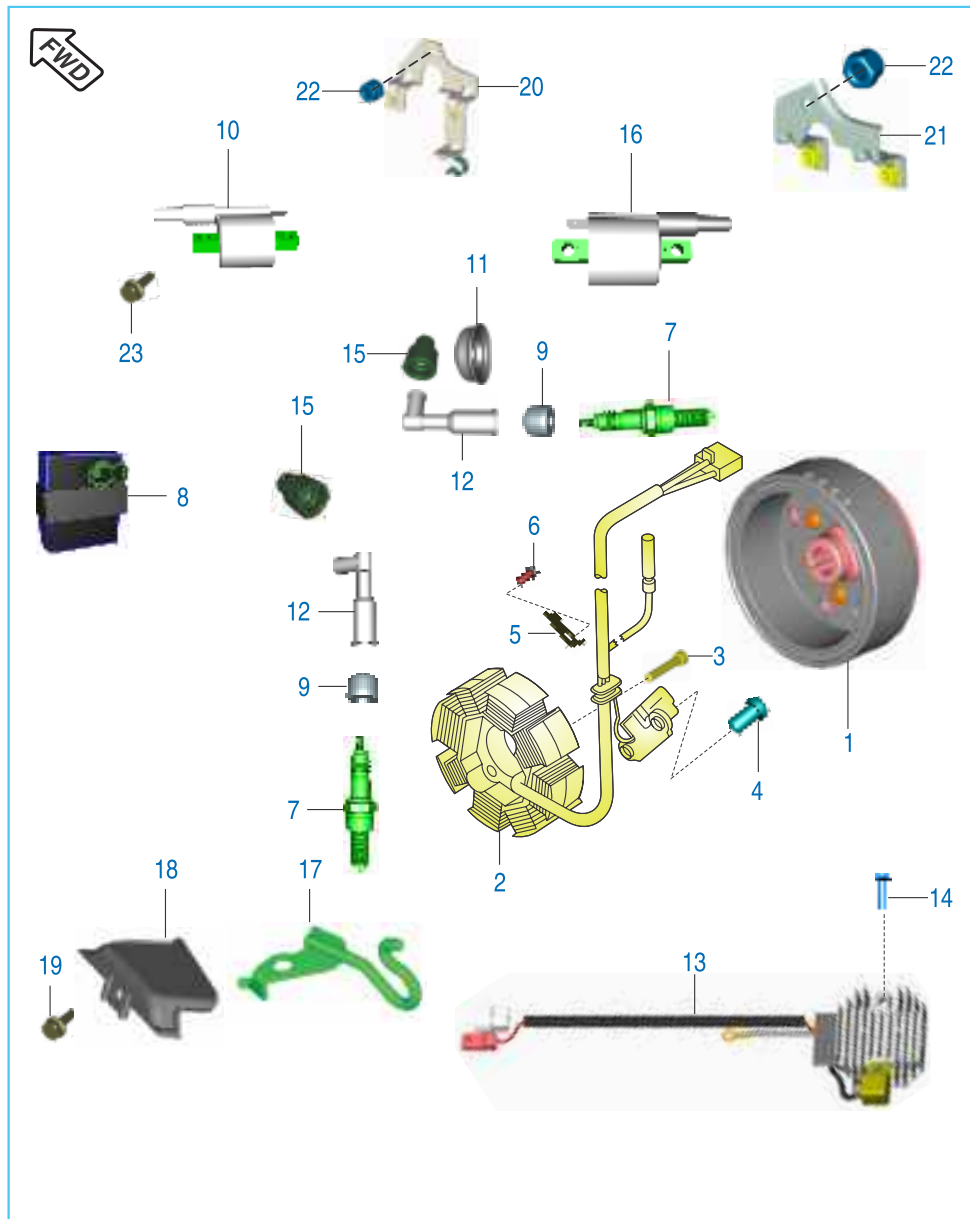
No.	Part No.	Description	Qty.	Remarks
1	YP D250 01	Silencer without Shields	1	
2	JM 1010 27	Shield Exhaust Rear	1	
3	DJ 1010 64	Gasket Exhaust	1	
4	DG 1012 85	Bolt	1	
5	39 1970 15	Domed cap Nut	2	
6	39 1225 15	Nut flanged	1	
7	PD 5911 01	Truss Screw	6	Shield Mounting
8	PD 5911 00	Washer Shield	4	Shield Mounting
9	DG 1014 19	Bushing Rubber	2	
10	DG 1611 24	Damper	1	
11	39 2492 11	Plain Washer	1	Exhaust chamber
12	39 2754 04	Bolt	1	Exhaust chamber
13	PD 2312 04	Guard Muffler	1	
14	JM 1010 22	Shield Exhaust Front	1	
15	PD 5910 23	Shield Exhaust Rider	1	

Air Cleaner



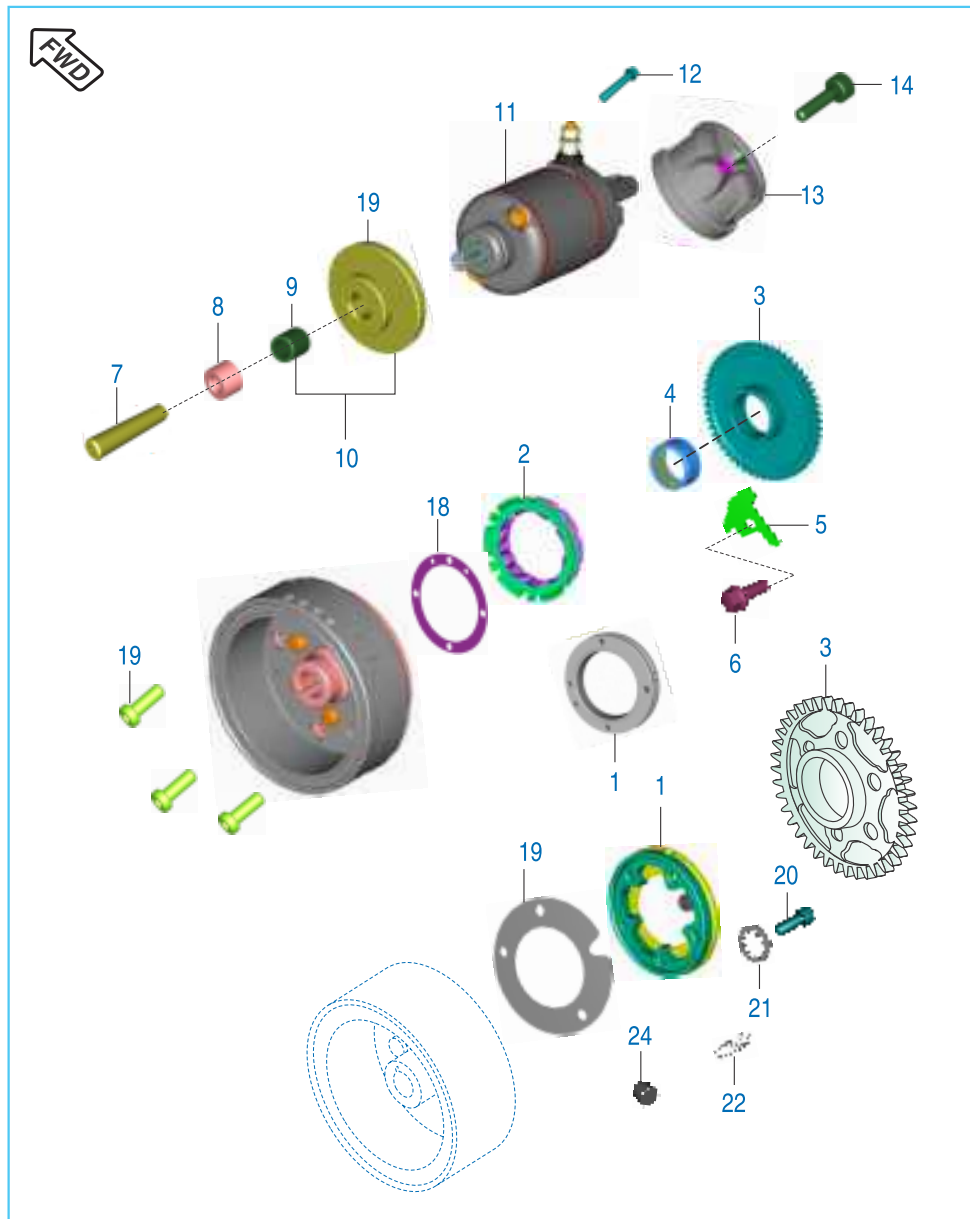
No.	Part No.	Description	Qty.	Remarks
1	PD 5810 80	Filter Assembly Air	1	
2	36 PD00 81	Kit air filter element & cover 'O' ring	1	
3	DG 1210 12	Gasket Air filter	1	
4	PD 5810 12	Tube assembly - drain	1	
5	DG 1210 14	Plate Element	1	
6	PD 5810 09	Tube Breather	1	
7	JD 1710 16	Round head screw (black)	1	
8	60 1114 20	Cable tie lock	1	
9	DG 1210 23	Flame Arrester	1	
10	39 2046 01	Screw	3	
11	39 2044 01	Screw	5	
12	DP 1210 18	Clamp	2	
13	JK 5110 02	Clamp	1	
14	PD 5810 61	Tube drain	1	
15	PD 5810 63	Hook breather tube canister 2	1	
16	PD 5810 62	Hook breather tube canister 1	1	
17	DH 1211 90	Clip band dia 53	1	
18	DV 1210 04	Cover Air Filter	1	

Magneto, CDI, Spark Plug & H.T. Coil



No.	Part No.	Description	Qty.	Remarks
1	DK 1110 77	Rotor assy w/o clutch assy.	1	
	JC 1110 28	Rotor assy without clutch assy	1	Roller clutch
2	PD 3510 02	Stator Assly. comp	1	
3	DK 1012 84	Hex. socket head screw	3	
4	DH 1013 81	Pan Head Screw	2	
5	PD 5412 74	Stopper plate (wiring harness)	1	
6	DH 1013 80	Screw Pan head	1	
7	DG 1110 08	Spark plug	2	
8	PD 3512 48	CDI	1	
9	DH 1110 13	Grommet Spark Plug cap	2	
10	PD 3512 35	H.T. Coil With Cable LH	1	
11	DH 1110 16	Grommet Sleeve Spark Plug	1	
12	AP 1110 12	Cap Spark Plug	2	
13	PD 4020 07	Regulator Voltage	1	
14	KA DD06 30	Bolt flanged	2	
15	DD 1110 12	Grommet H.T. Cable	2	
16	PD 3512 37	H.T. Coil With Cable RH	1	
17	PD 5111 29	Bracket HT Cable	1	
18	PD 1138 07	Cover Regulator	1	
19	KA EA06 10	Bolt Flanged	1	
20	PD 1138 10	Bkt HT coil mtg carb loose LH	1	
21	PD 1138 11	Bkt HT coil mtg carb loose RH	1	
22	KC HC06 08	Nut nyloc - M6	2	
23	KA DF06 18	Bolt flanged	4	

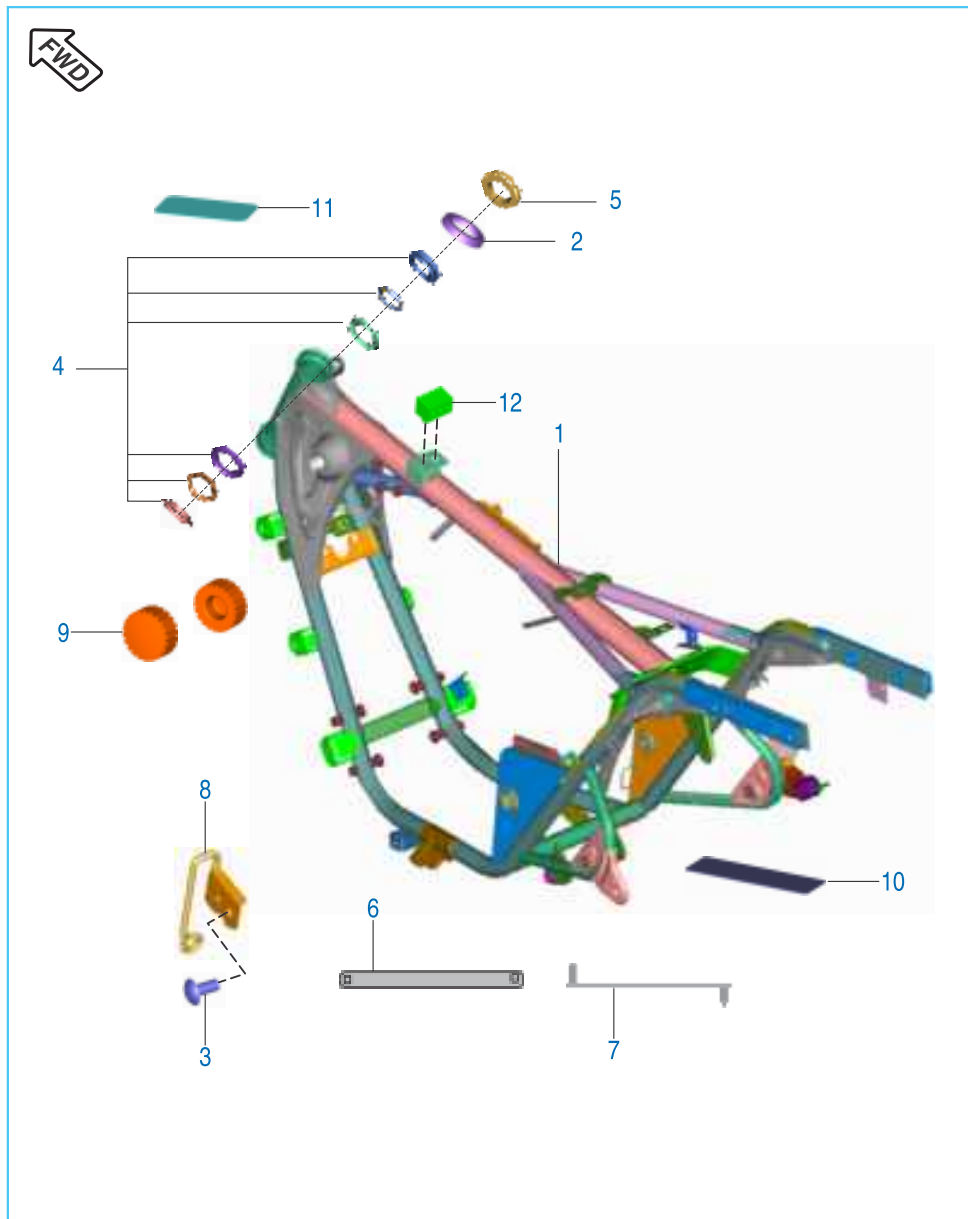
Starter Motor & Starter Assembly



No.	Part No.	Description	Qty.	Remarks
1	DK 1017 96	Body comp. starter clutch	1	
	36 DK00 76	Body comp. starter clutch	1	Roller type clutch
2	JY 5514 02	Clutch one way assembly	1	
3	DK 1017 97	Assembly gear starter clutch	1	
	JC 1011 14	Gear starter clutch	1	Roller type clutch
4	59 2000 07	Needle roller bearing	1	
5	DH 1015 81	Plate starter clutch gear return	1	Stopper plate
6	DH 1013 85	Bolt flanged - M6	1	For stopper plate
7	DK 1011 76	Shaft starter counter	1	
8	DH 1011 72	Collar starter counter	1	
9	39 2152 20	Needle roller bearing	1	
10	JC 1011 45	Assembly gear starter counter (14T)	1	
11	DH 1111 14	Motor assembly starter	1	
12	DS 1013 53	Bolt	2	
13	56 DJ4E 1Y	Cover starter motor	1	To be confirm
14	DH 1013 89	Bolt socket	1	
15	36 DK00 45	Molicoat grease	1	N.I.
16	DK 1017 94	Gasket	1	
17	JC 1011 15	Gear starter counter (14T)	1	
18	LA C000 41	Bolt - M6 x 16 (Precoated)	4	UG-Sprag Clutch
19	DK 1016 05	Plate roller clutch	1	Roller type clutch
20	39 0972 04	Bolt Socket M6	3	Roller type clutch
21	39 0849 14	Star Washer	3	Roller type clutch
22	36 DK00 77	Kit Spring comp st. clutch	1	Roller type clutch
23	59 1000 02	Spring Dowel	1	Roller type clutch
24	DH 1011 63	Roller	5	Roller type clutch

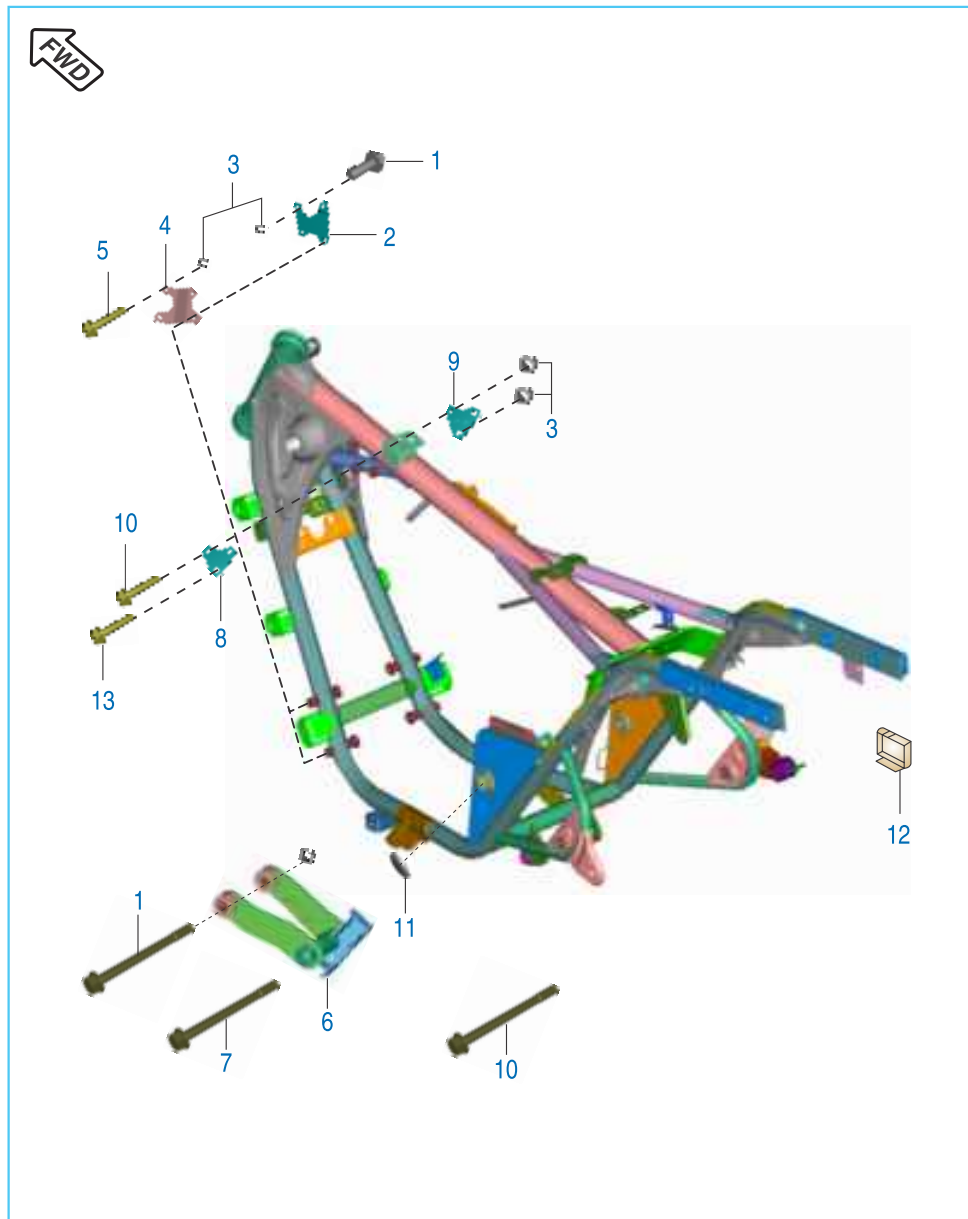
Note:- Introduction of Roller type clutch & deletion of sprag clutch from week4 sept 18.

Frame & Frame Fittings



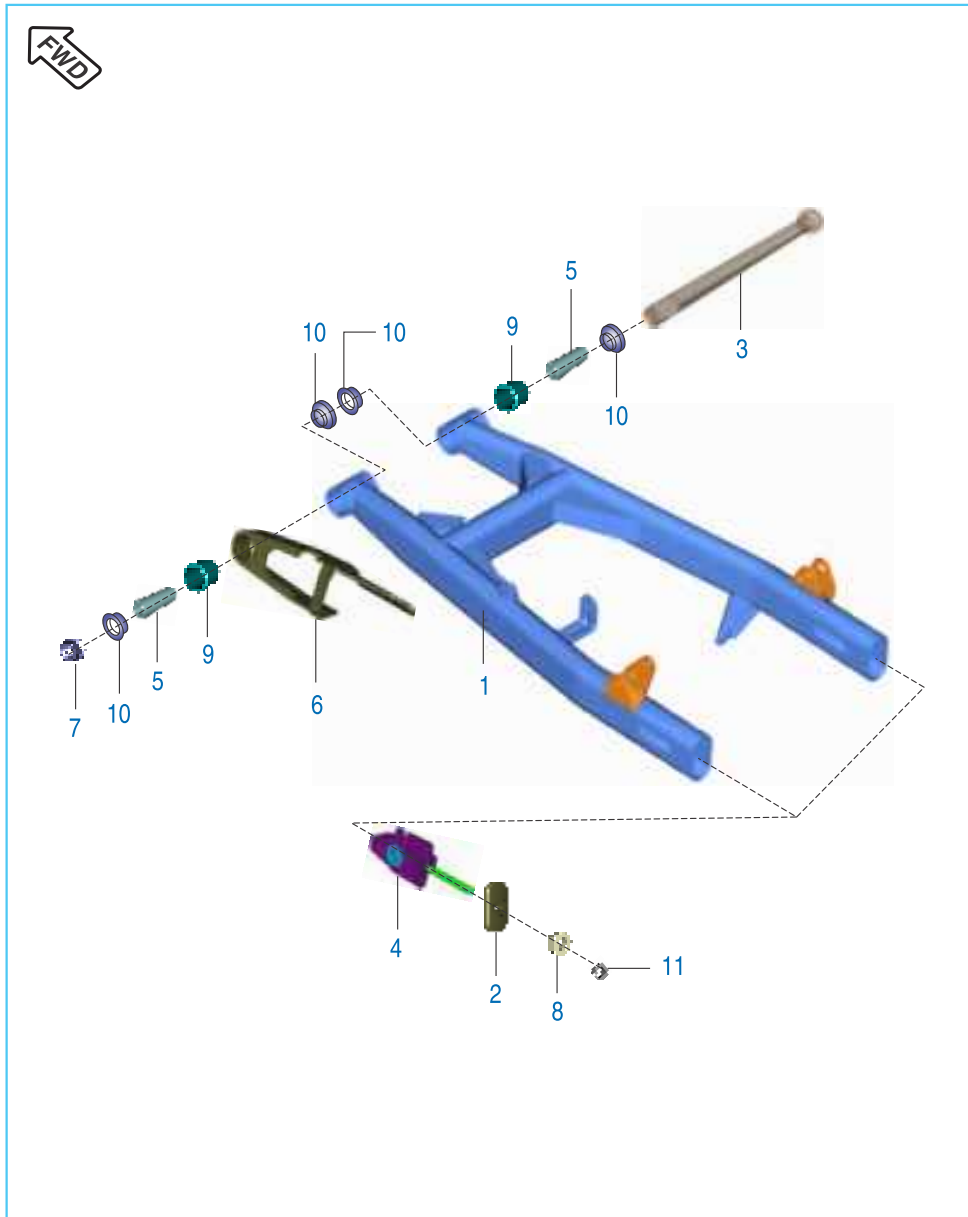
No.	Part No.	Description	Qty.	Remarks
1	PD 1110 41	Frame Assembly	1	
2	PD 1510 06	Cup steering	1	
3	KB UC06 14	Screw Truss	1	
4	36 JG00 11	Kit steering head bearing	1	Refer Kit List
5	DK 1810 75	Steering Nut	1	
6	PD 1138 08	Strip clamp	2	N.I.
7	PD 4022 06	Flexi band 55 mm	2	N.I.
8	PD 1138 14	Bracket Throttle Cable Routing	1	
9	DJ 1410 08	Damper front	1	
10	DT 1138 58	Tape frame	1	
11	JZ 1112 92	Tape frame head pipe	1	
12	PD 1710 49	Damper	1	

Frame Fitting



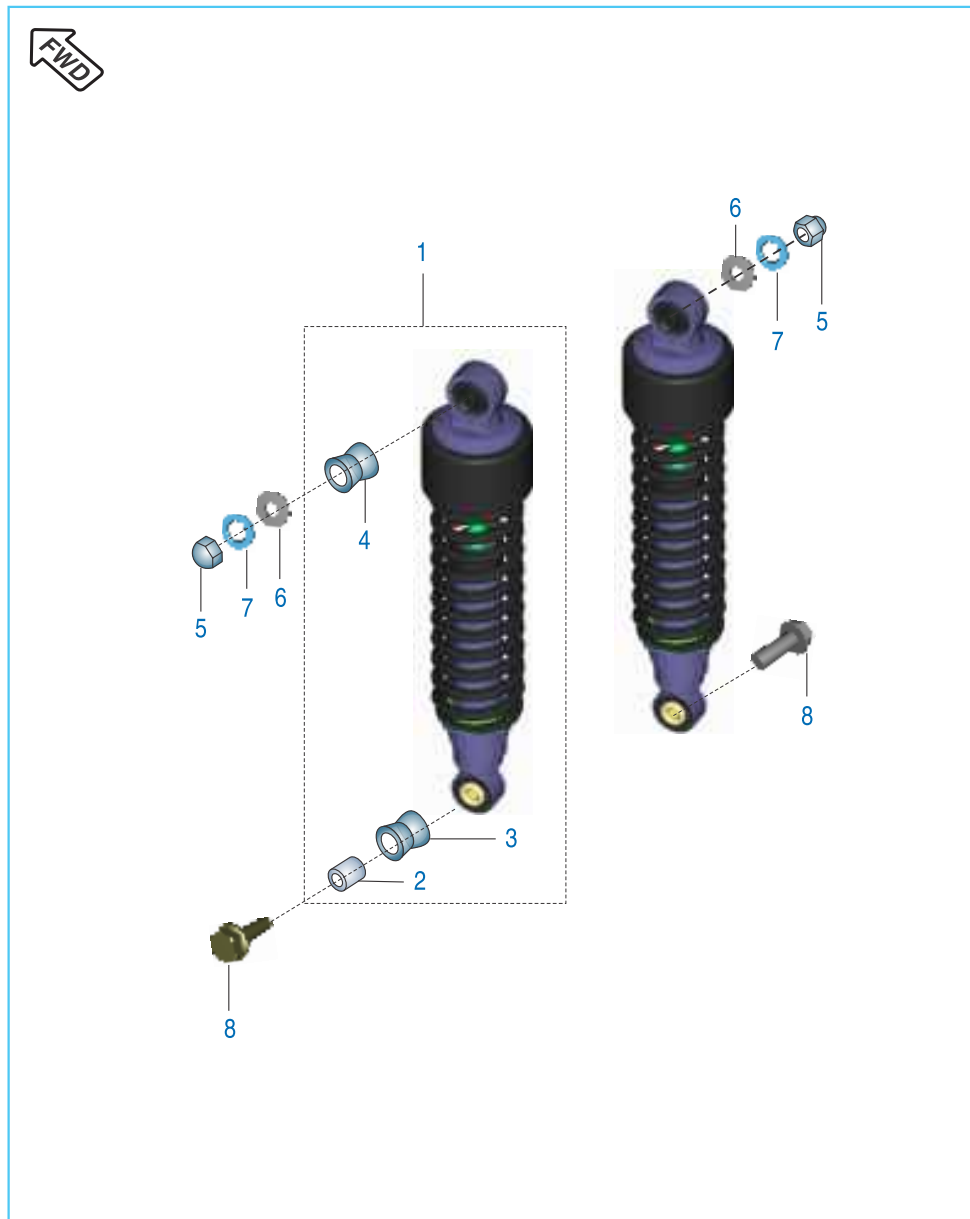
No.	Part No.	Description	Qty.	Remarks
1	59 0400 42	Bolt, Flanged	1	
2	JM 1610 03	Bracket, Engine Mtg. Front RH	1	
3	39 1970 15	Hex Nut	11	
4	JM 1610 02	Bracket, Engine Mtg. Front LH	1	
5	39 1967 04	Bolt	4	
6	PD 1134 13	Bracket, Engine Rear	1	BS IV
7	59 0400 43	Bolt, Allen	1	
8	PD 1134 10	Bracket, Engine Top LH	1	
9	PD 1134 11	Bracket, Engine Top RH	1	
10	KA DD08 60	Bolt flanged	2	
11	DG 1611 54	Cap, Pivot	2	
12	DG 1611 65	Cap, Tool case	1	
13	39 1941 04	Bolt flanged - M8	1	
	KA DD08 60	Bolt flanged	1	From March 2018

Swing Arm



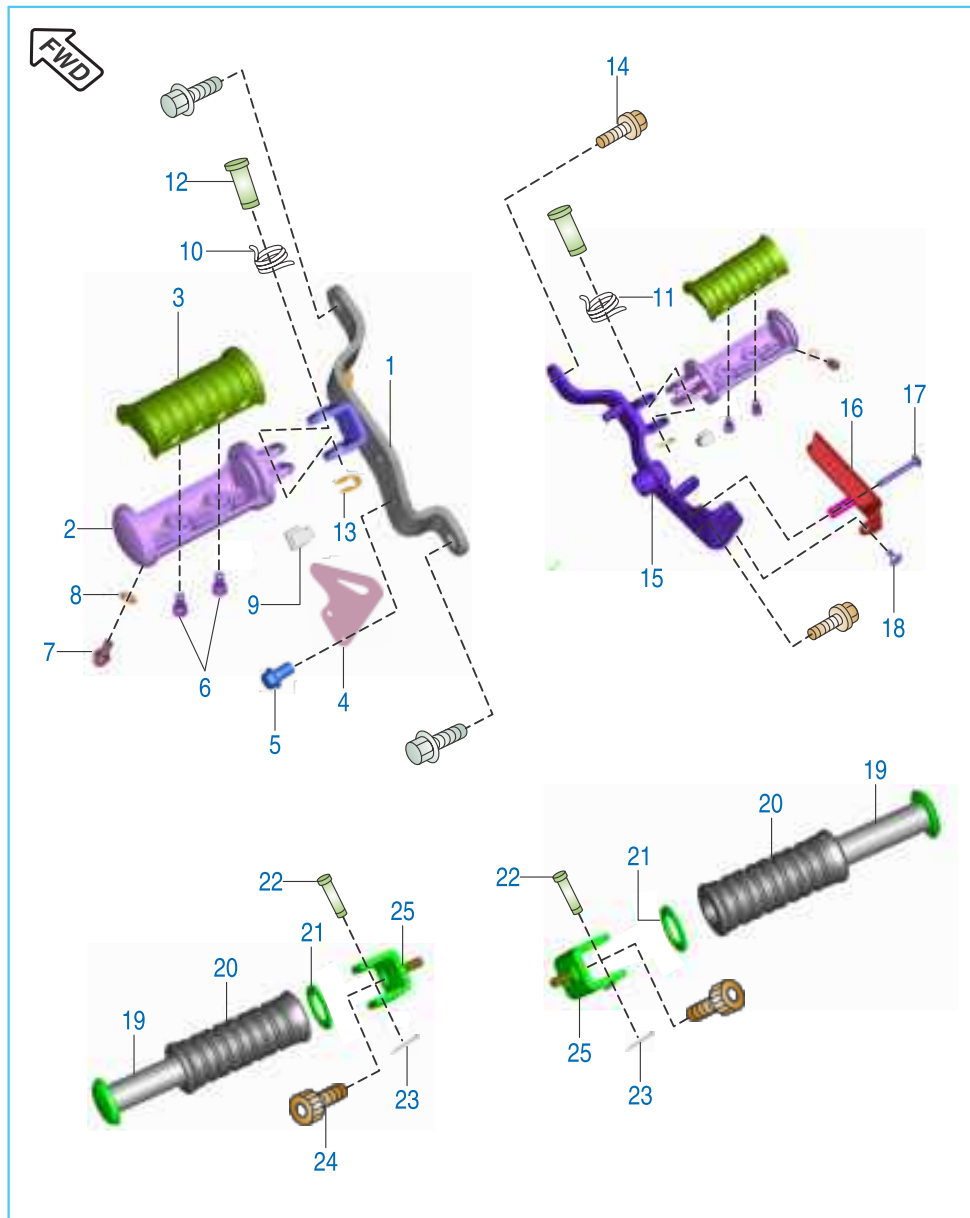
No.	Part No.	Description	Qty.	Remarks
1	PD 1220 13	Arm assembly swing	1	
2	JM 1710 04	Cap chain Adjuster	2	
3	JL 1220 26	Shaft swing arm assembly	1	
4	JM 1710 03	Adjuster Chain	2	
5	DG 1710 16	Sleeve	2	
6	DG 1710 34	Guard, Chain	1	
7	39 1053 15	Nut	1	
8	DG 1710 22	Nut	2	
9	DG 1710 18	Bearing Needle	2	
10	DG 1710 19	Seal Oil	4	
11	39 1997 15	Nut Hex small	2	

Rear Shock Absorber



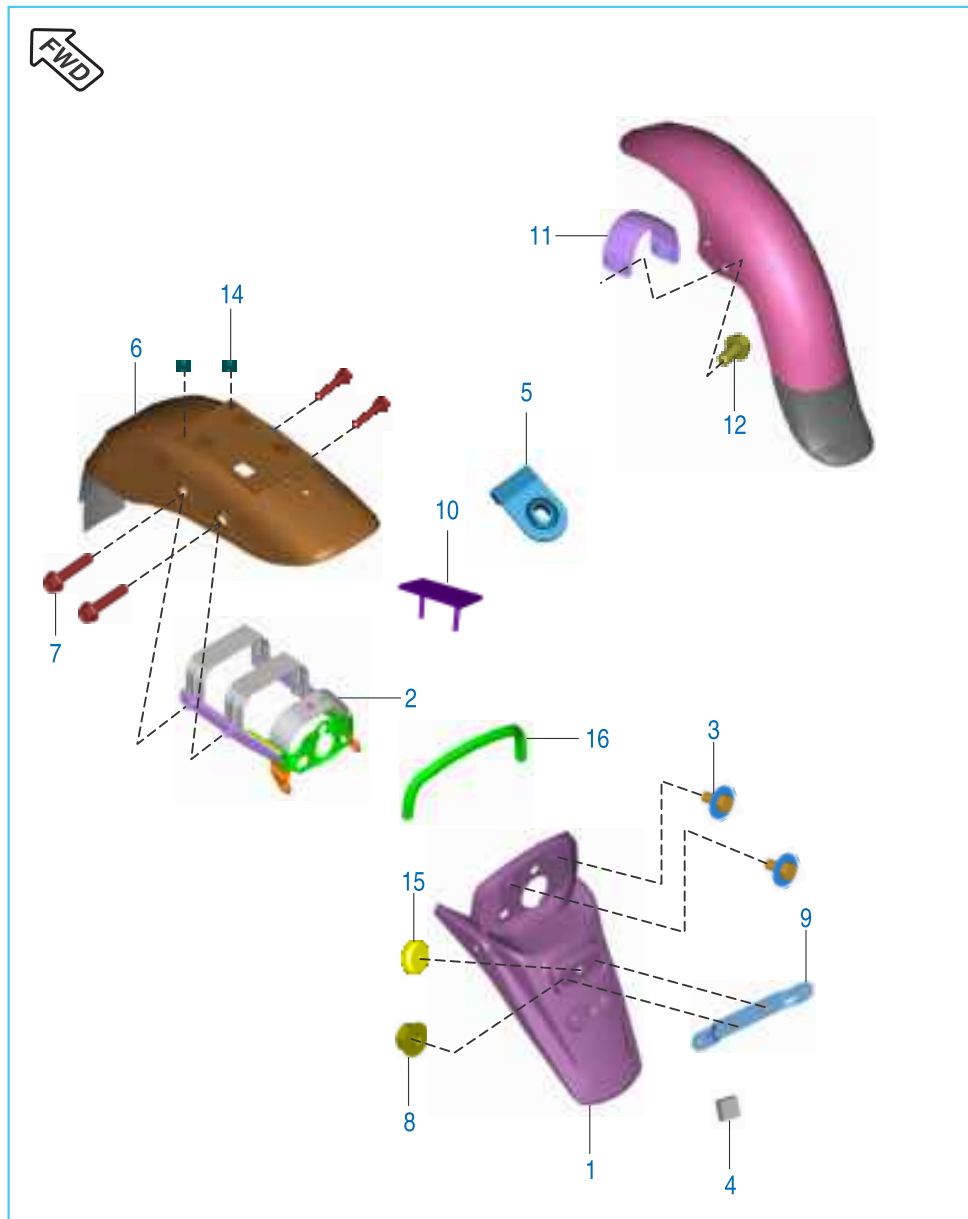
No.	Part No.	Description	Qty.	Remarks
1	PD 1220 10	Rear Shock Absorber	2	
2	DG 1710 35	Collar, shock Absorber	2	
3	DG 1710 37	Damper, Lower	2	
4	DG 1710 36	Damper, Upper	2	
5	DG 1710 29	Nut cap	2	
6	DG 1710 25	Washer	2	
7	39 2726 12	Spring Washer	2	
8	DG 1710 38	Bolt Flanged	2	

Foot Rest



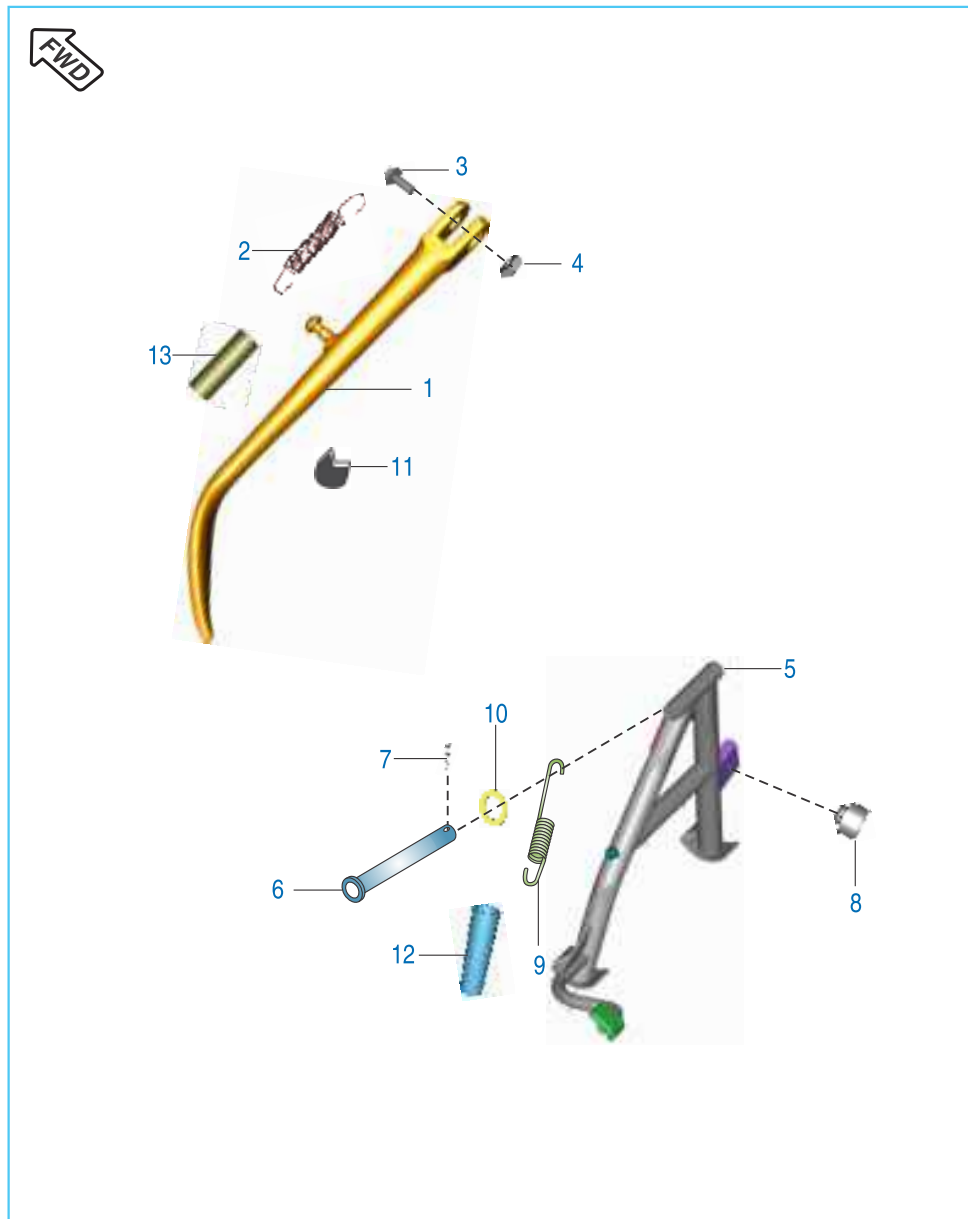
No.	Part No.	Description	Qty.	Remarks
1	DV 1610 46	Holder Step L	1	
2	PD 1130 00	Footrest Rider LH	1	
3	PD 1130 03	Rubber Rider Step	2	
4	PD 2312 06	Guard Step LH	1	
5	KA EM06 10	Bolt - flanged - small	1	
6	KA CA06 12	Bolt master KAC	4	
7	DG 1611 44	Bolt	2	
8	KD AB06 11	Washer plain small	2	
9	DV 1610 50	Rubber stopper step	2	
10	36 DV00 05	Spring - L	1	
11	DG 1611 47	Spring - R	1	
12	DG 1611 45	Pin	2	
13	39 1937 17	Circlip	2	
14	DG 1612 22	Bolt - Precoated	4	
15	JM 1610 37	Holder Step Front RH	1	
16	PD 2312 05	Guard brake pedal	1	
17	LB U000 08	Screw mushroom head M6 x L40	1	
18	KB UA06 12	Screw truss	1	
19	PD 1130 02	Footrest pillion	2	
20	PD 1130 04	Rubber Main Step	2	
21	DG 1611 50	Washer	2	
22	DG 1611 89	Pin	2	
23	39 0146 08	Split Pin	2	
24	DG 1611 53	Bolt socket	2	
25	PD 1130 10	Bracket Pillion Step Holder With Stud	2	

Mudguard - Front & Rear



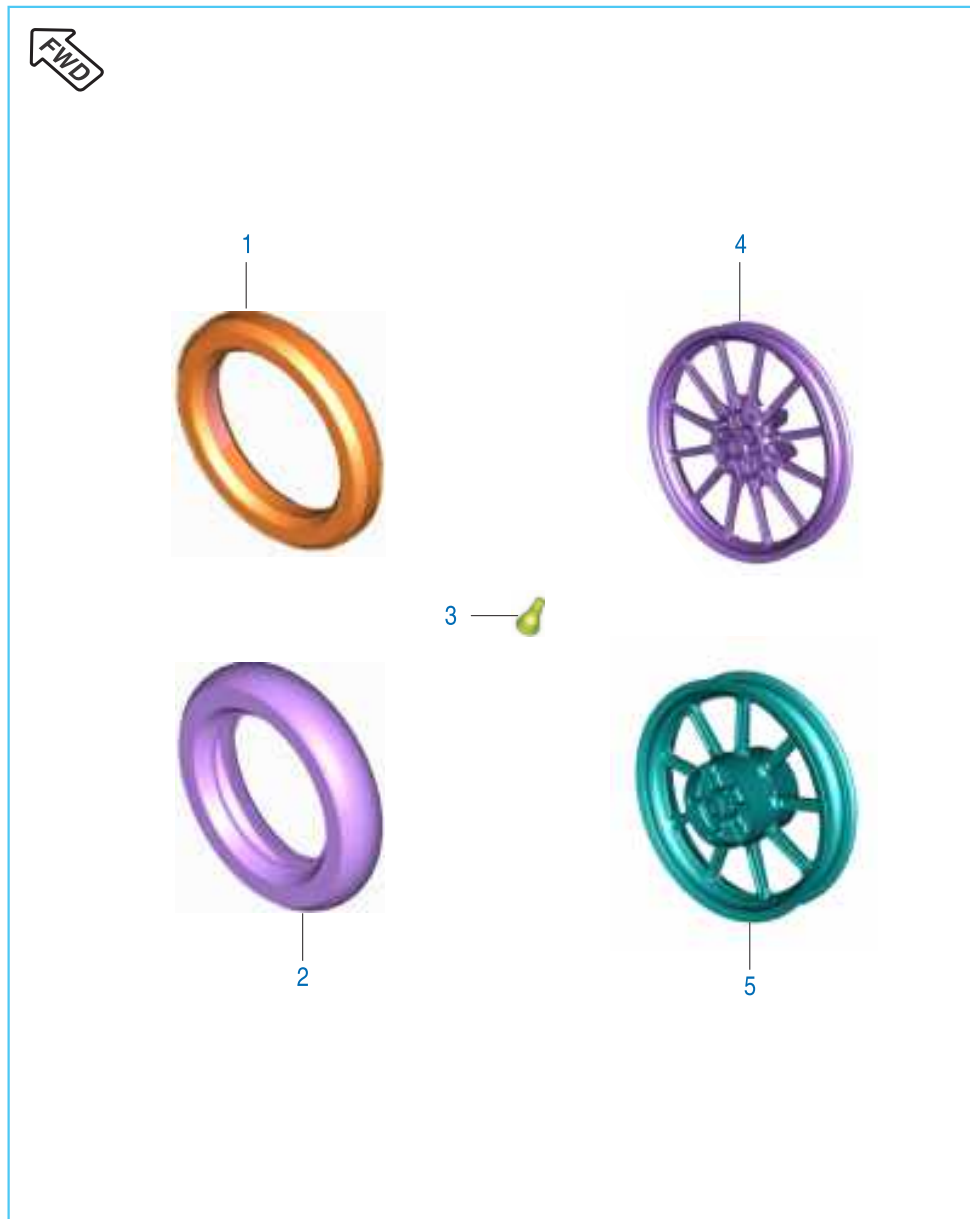
No.	Part No.	Description	Qty.	Remarks
1	PD 1814 12	Flap	1	
2	PD 1814 13	Bracket structure rear fender mtg	1	
3	DG 1611 10	Bolt	2	
4	JZ 2328 05	Foam rear number plate	1	
5	DG 1611 08	Damper	1	
6	PD 1814 11	Fender Rear	1	
7	KA DU08 40	Bolt flanged - M8	4	
8	KC GC06 06	Nut hex flanged	2	
9	DZ 1612 65	Bkt. Rear Number Plate	1	
10	PD 1814 01	Damper Rear Mud Guard	1	
11	PD 1814 08	Brace fender front	1	
12	KA DF08 14	Bolt flanged	4	
13	DX 1610 66	Pad brace fender	4	
14	PD 1814 00	Grommet rear fender	2	
15	DJ 2011 73	Grommet for cables - rear fender	1	
16	PD 1814 21	Foam flap fender rear	1	

Side Stand & Center Stand Assembly



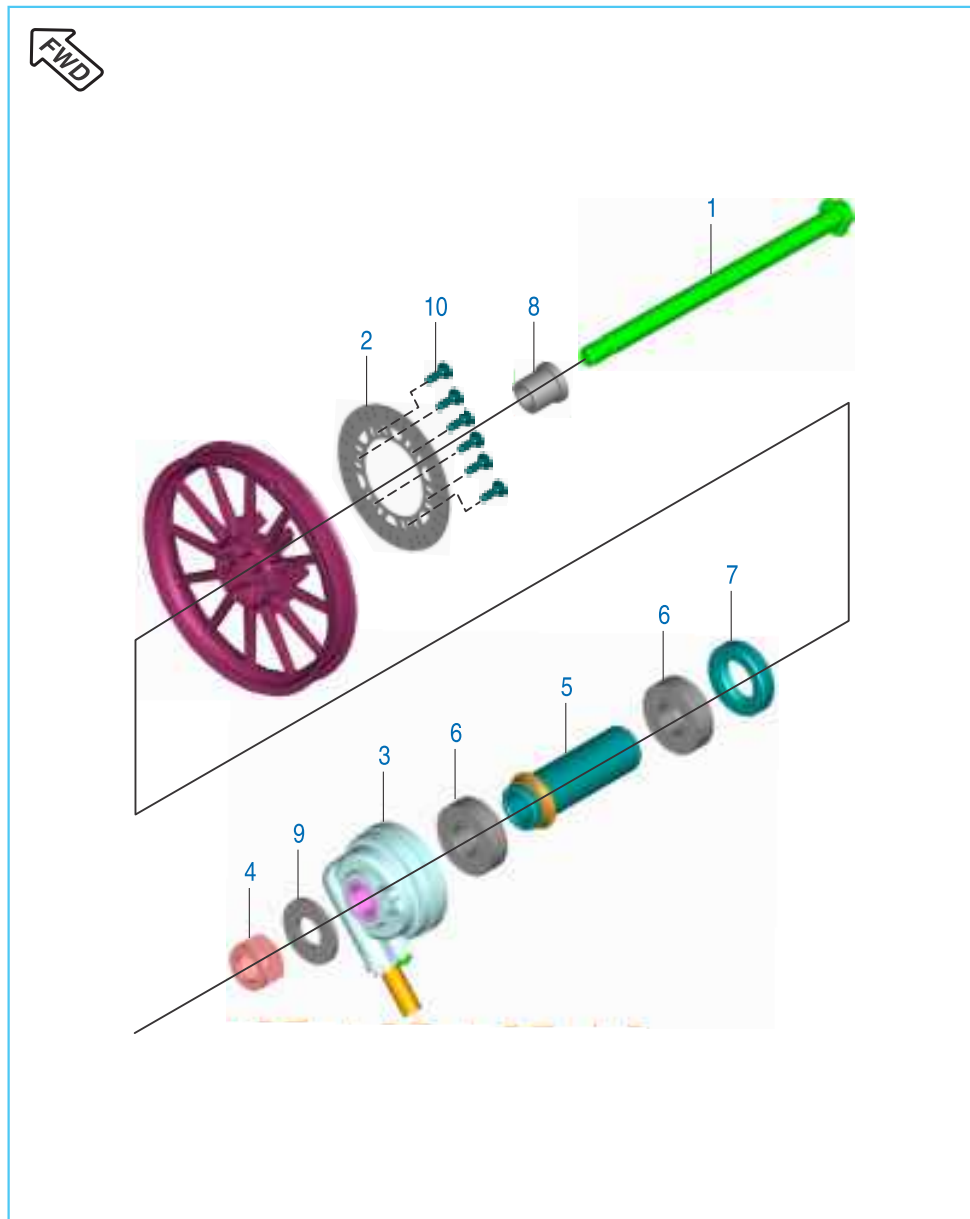
No.	Part No.	Description	Qty.	Remarks
1	DV 1610 17	Side Stand	1	
2	DG 1612 19	Spring	1	
3	DG 1611 29	Bolt	1	
4	DD 1610 71	Lock Nut	1	
5	PD 1132 07	Stand Centre	1	
6	DG 1612 30	Shaft Stand	1	
7	KH AA32 35	Pin Cotter	1	
8	DG 1611 24	Damper	1	
9	DV 1610 60	Spring	1	
10	39 0208 11	Plain washer	1	
11	DG 1612 76	Damper Side Stand	1	
12	DH 1611 45	Cover spring M - stand	1	
13	DH 1611 46	Cover spring S - stand	1	

Tyre, Tube & Wheel Rim



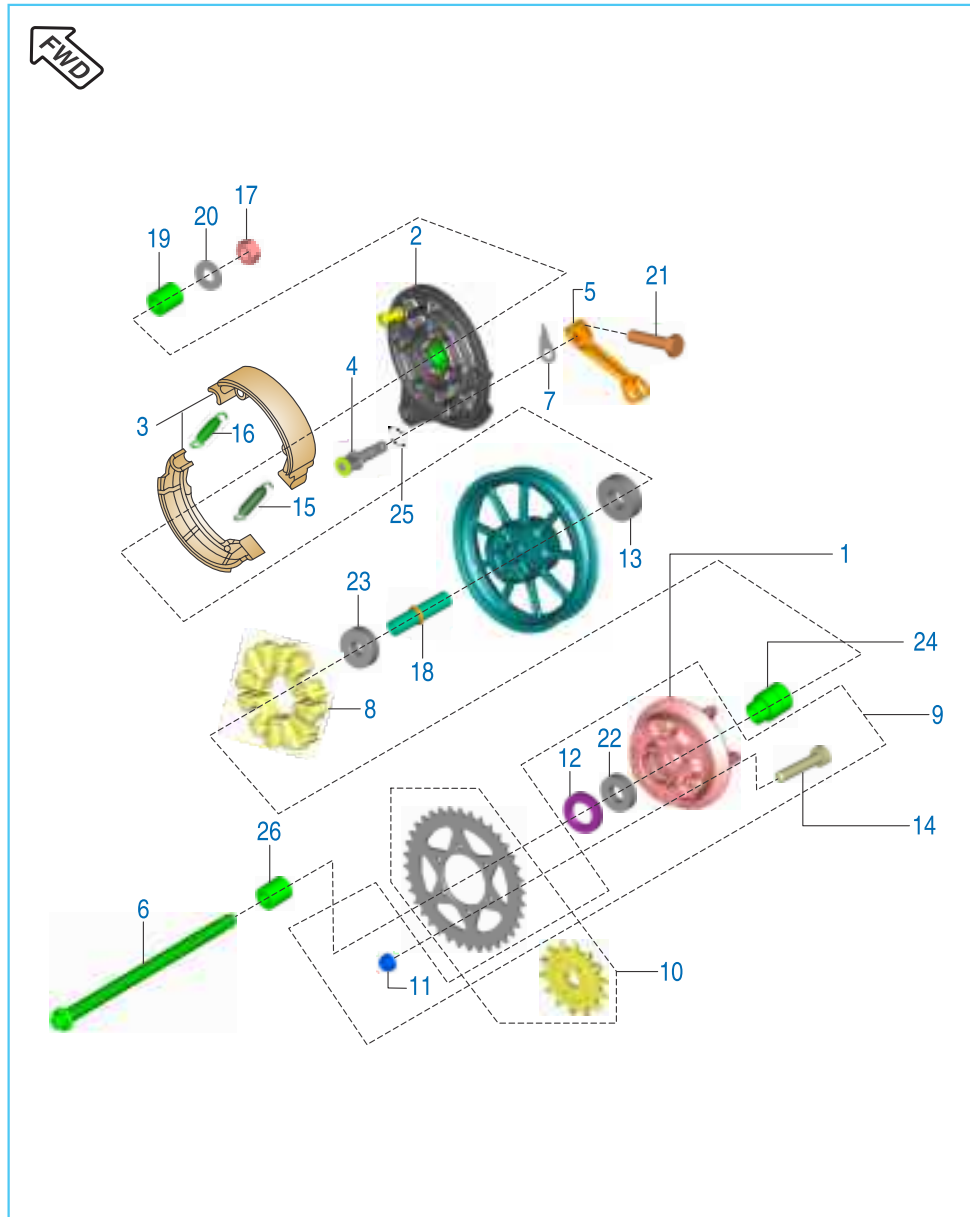
No.	Part No.	Description	Qty.	Remarks
1	DK 1510 39	Tyre 90/90-17 Tubeless HI-GRIP	1	
2	PD 1312 11	Tyre Rear 130/90-15 66P	1	
3	DK 1510 26	Valve	2	
4	PD 1310 07	Wheel Front Tubeless	1	
5	PD 1312 24	Wheel rear MT 2.5 X 15	1	

Front Hub



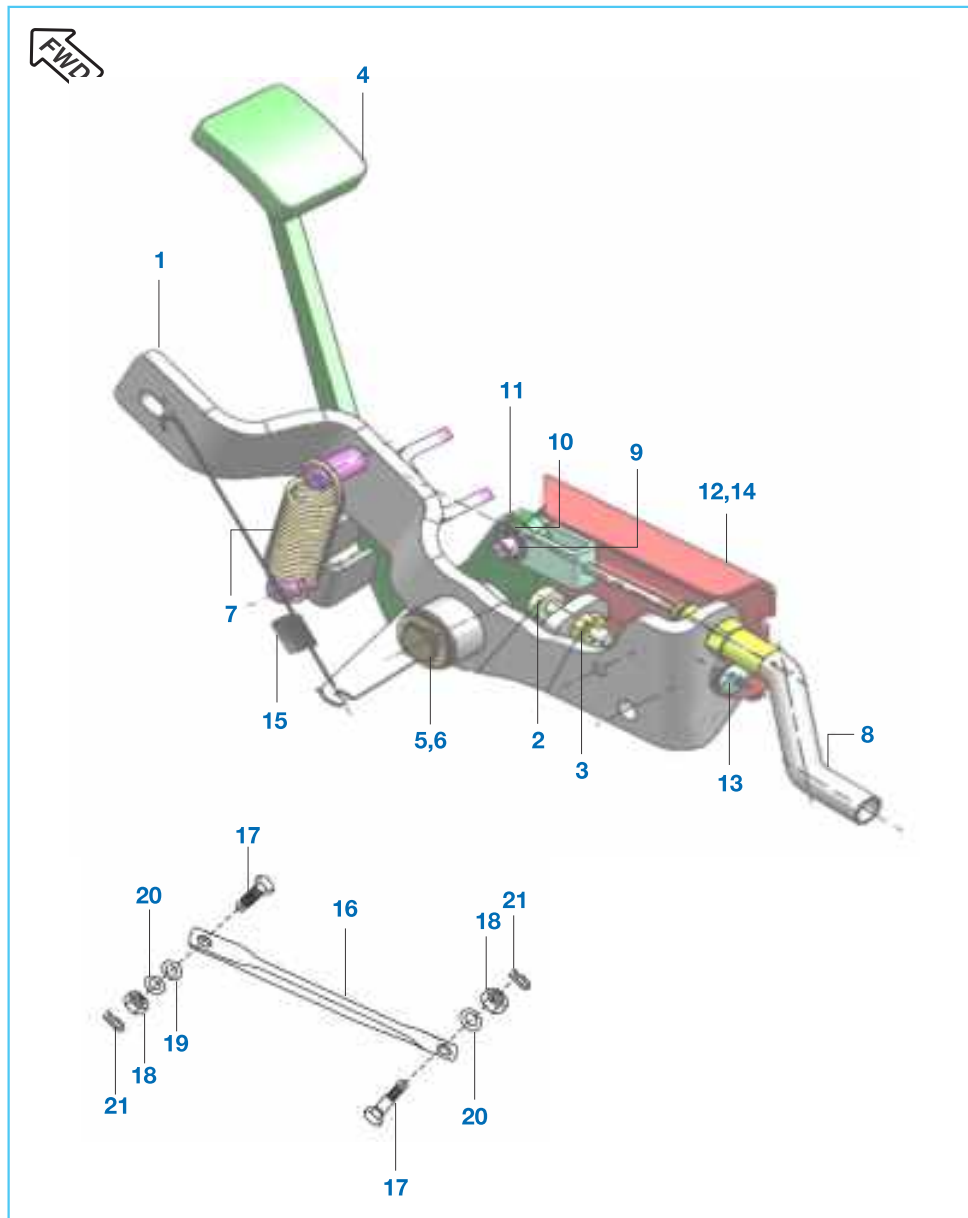
No.	Part No.	Description	Qty.	Remarks
1	DG 1510 06	Axle, Front	1	
2	PD 1318 15	Disc brake front	1	
3	JC 1510 20	Case Meter Housing W/O Sensor	1	
4	DH 1710 19	Nut	1	
5	DV 1510 07	Collar assembly	1	
6	KP BC62 02	Ball Bearing	2	
7	DG 1510 05	Seal oil	1	
8	DG 1510 07	Collar Front Axle	1	
9	LD B000 01	Washer plain DIA.32 X 15.2 X 3	1	
10	PD 1318 03	Disc mtg bolt	6	

Rear Hub - Alloy Wheel



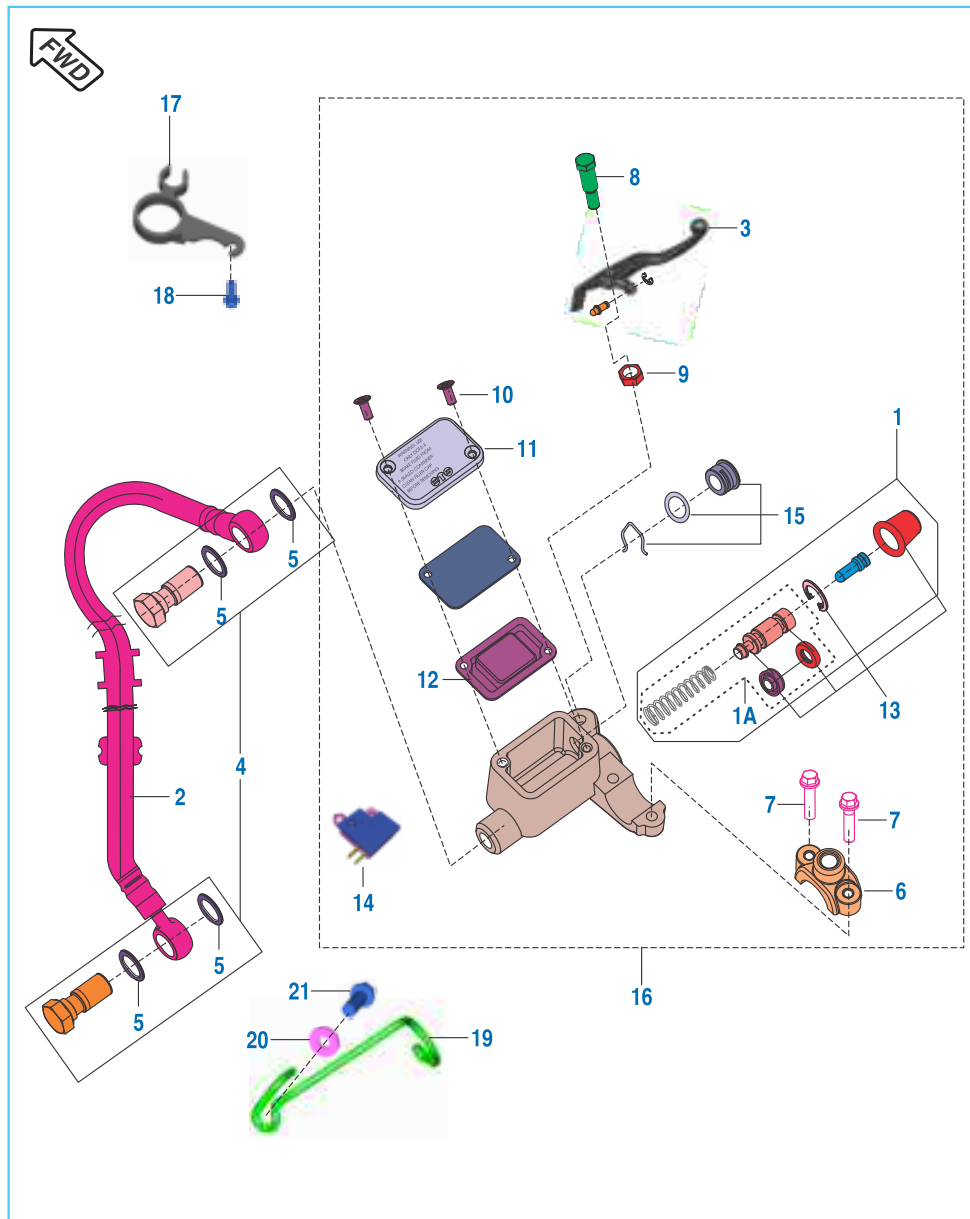
No.	Part No.	Description	Qty.	Remarks
1	PD 1312 12	Coupling	1	
2	PD 1318 10	Panel Brake Rear	1	
3	DG 1510 96	Shoe Brake	2	
4	DG 1510 59	Cam Brake	1	
5	DG 1510 60	Lever Brake Cam	1	
6	JM 1510 05	Axle Rear	1	
7	30 1510 05	Indicator Brake Shoe	1	
8	JL 1312 32	Damper Rear Hub Shock	1	
9	PD 1312 13	Assembly coupling Rear	1	
10	36 PD00 09	Chain - Sprocket - Kit	1	Refer Kit List
11	LC L000 04	Nut U Flange - M8	6	
12	30 1510 82	Seal Oil	1	
13	KP BC62 02	Bearing Ball	1	
14	DG 1510 68	Bolt	6	
15	DG 1510 58	Spring Brake Shoe	1	
16	30 1510 69	Spring Brake Shoe	1	
17	DH 1710 19	Nut	1	
18	DG 1510 85	Collar Rear Brake Drum	1	
19	DG 1510 62	Collar Rear Axle	1	
20	LD B000 01	Washer	1	
21	39 1069 01	Screw	1	
22	KP BC60 04	Bearing Ball	1	
23	KP BC63 02	Bearing Ball	1	
24	DG 1510 65	Sleeve	1	
25	30 1510 38	O Ring	1	
26	DG 1510 67	Collar	1	

Rear Brake Pedal



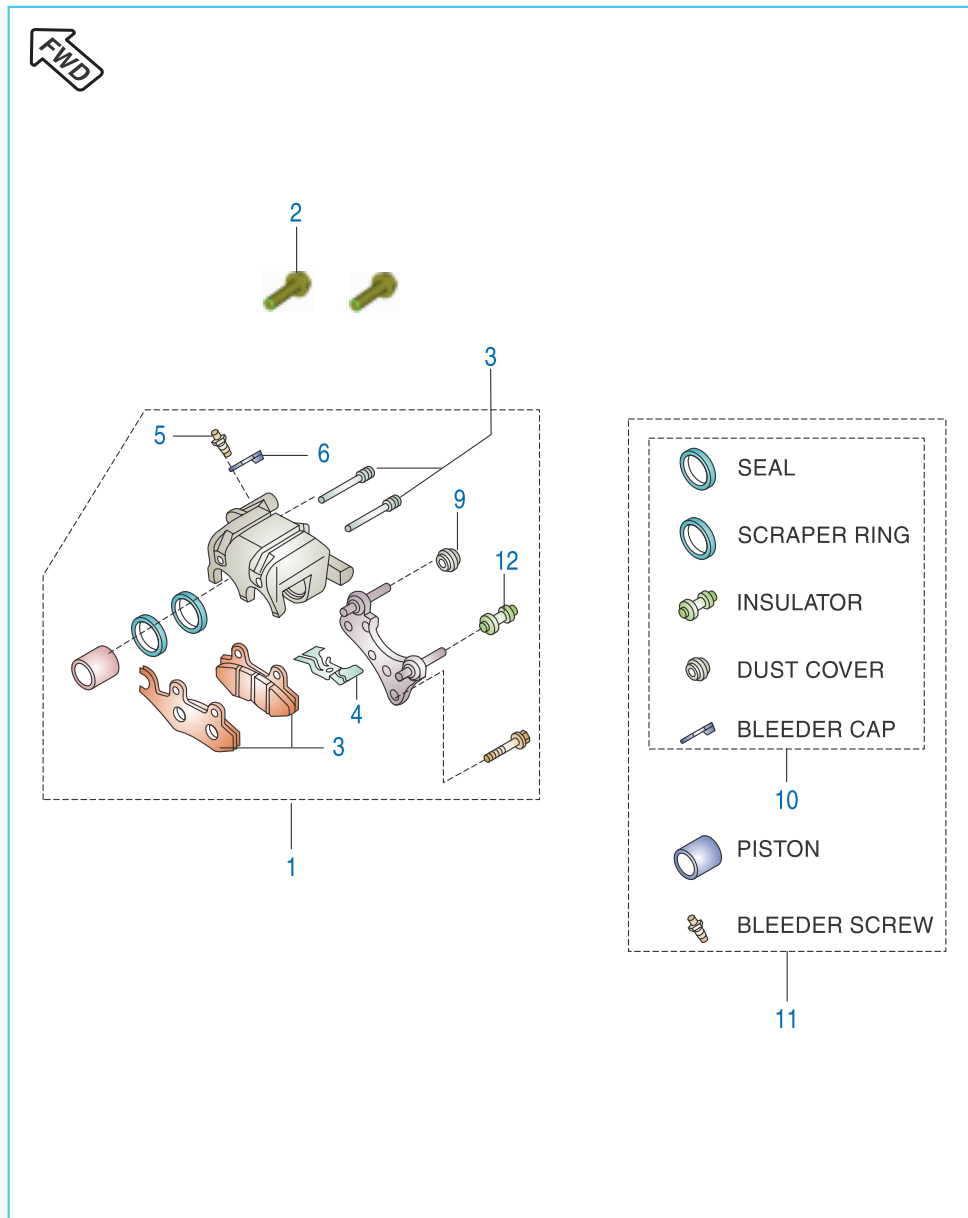
No.	Part No.	Description	Qty.	Remarks
1	JM 1610 37	Assembly stay RH	1	
2	39 1069 01	Hexagon head screw	1	
3	39 0292 15	Hexagon Nut-M6X1	1	
4	JM 1910 11	Lever Brake	1	
5	39 0805 11	Washer	1	
6	LE C000 01	Circlip E type	1	
7	JM 1910 12	Spring	1	
8	JM 1910 13	Rear brake cable	1	
9	DG 1910 51	Pin	1	
10	39 1211 11	Washer Plain	1	
11	39 0146 08	Slip Pin	1	
12	PD 2312 05	Guard Brake pedal	1	
13	KB UA06 12	Mushroom Head screw - M6-L12	1	
14	LB U000 08	Mushroom Head screw - M6-L4	1	
15	JM 1910 14	Spring Brake Switch	1	
16	PD 1220 03	Torque Rod	1	
17	PD 1220 04	Bolt Torque Rod	2	
18	39 0694 15	Nut	2	
19	KD DB10 18	Washer spring thin	1	
20	KD BB08 18	Washer Plain	2	
21	LH B000 01	Pin Snap	2	

Front Master Cylinder



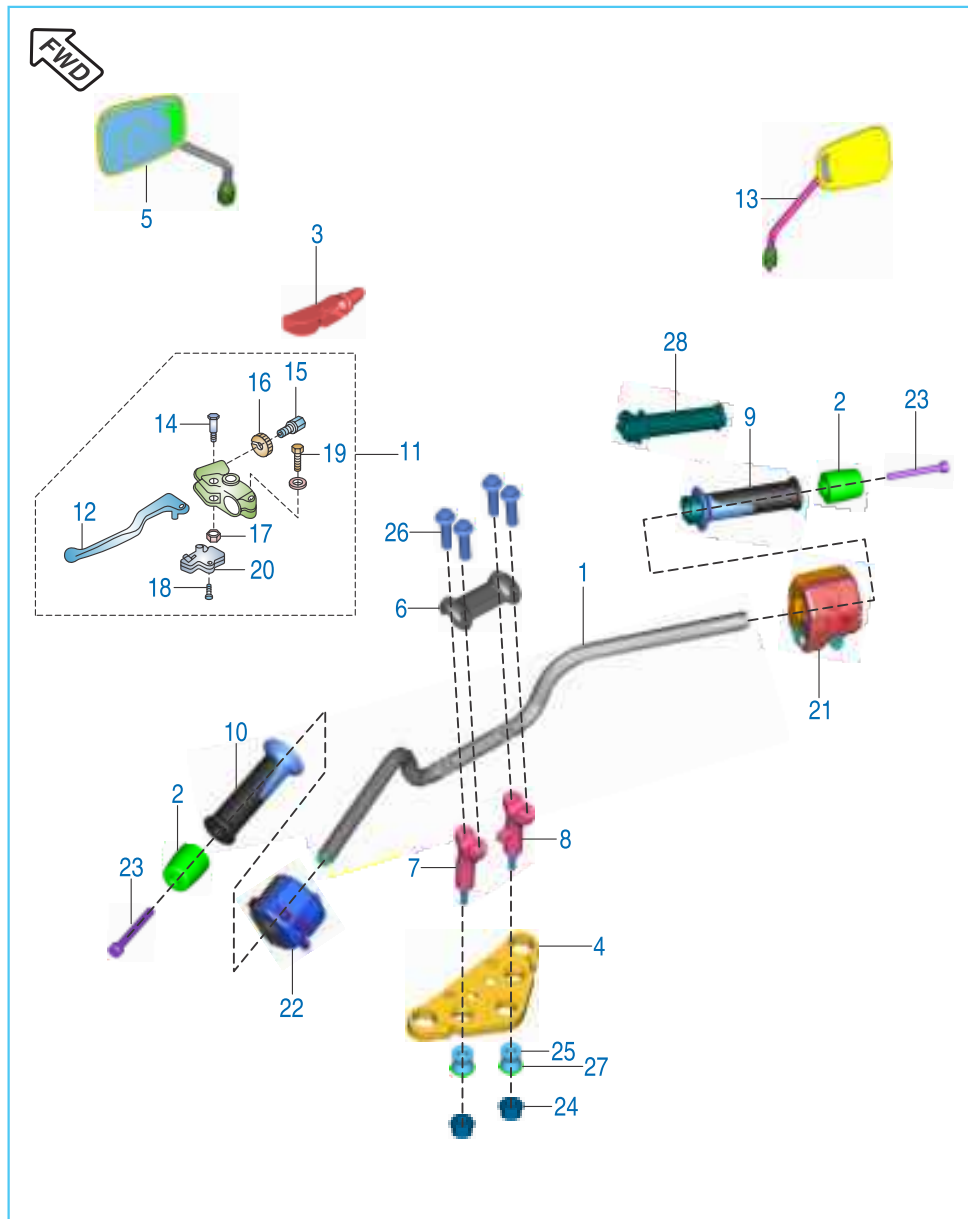
No.	Part No.	Description	Qty.	Remarks
1	36 PD00 50	Major Kit - Master Cylinder	1	
1A	36 PD00 51	Minor Kit - Master Cylinder	1	
2	36 PD00 73	Hose Brake Front	1	
3	DV 1910 07	Lever Grip RH	1	
4	36 PD00 54	Banjo Bolt Kit	1	
5	DJ 1910 26	Washer Copper	4	
6	DJ 1910 27	Clamp Holder RH	1	
7	DJ 1910 28	Bolt	2	
8	DJ 1910 29	Bolt Front Brake Lever	1	
9	DJ 1910 30	Nut Flanged	1	
10	DJ 1910 31	Screw	2	
11	DJ 1910 34	Reservoir Cover	1	
12	DJ 1910 35	Diaphragm	1	
13	36 PD00 53	Kit Master Cylinder Seals	1	
14	DJ 2011 09	Front brake switch	1	
15	DH 1910 62	Oil Window Kit	1	
16	PD 1318 07	Master Cylinder	1	
17	PD 1318 51	Clamp hose brake front	1	
18	KA ED06 14	Bolt flanged small	1	
19	DG 1810 40	Clamp	1	
20	39 0711 11	Plain washer	1	
21	KA ED06 16	Bolt flanged small	1	

Front Brake - Caliper & Disc



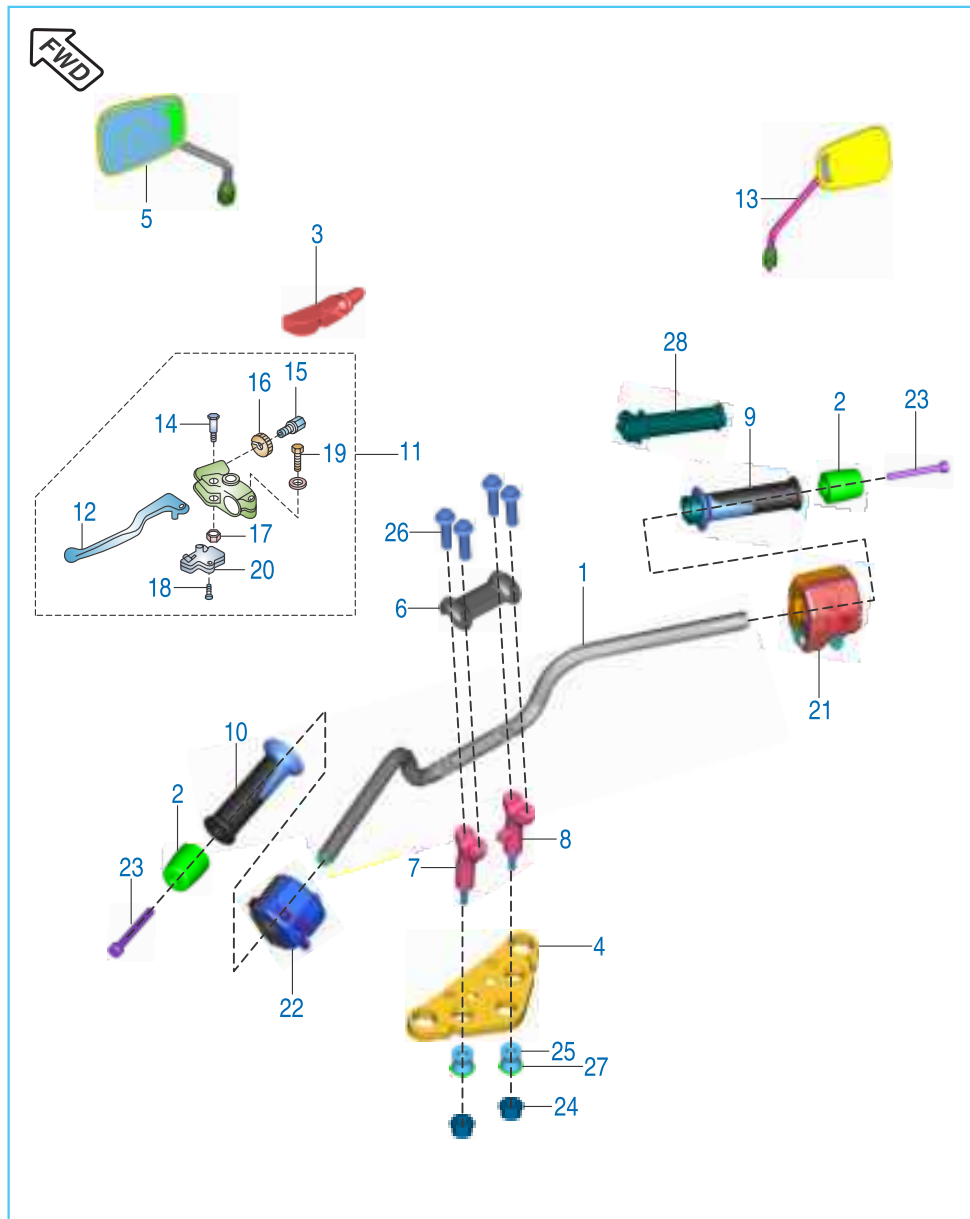
No.	Part No.	Description	Qty.	Remarks
1	PD 1318 53	Caliper assembly front	1	
2	DH 1510 39	Bolt - Flange :- Pre-coated (M8)	2	Caliper Mounting
3	JW 1318 07	Disc Pad Set	1	
4	36 PD00 43	Kit Cal Assly-pad Spring	1	
5	DE 1510 46	Bleeder Screw	1	
6	DE 1510 47	Bleeder Cap	1	
8	DE 1510 43	Insulator	1	
9	DE 1510 45	Dust cover	1	
10	36 DK00 65	Minor Kit - Caliper	1	
11	36 DK00 66	Major Kit - Caliper	1	
12	36 PD00 44	Kit Cal Assly (ø28x2)-pad Pin	1	
13	36 PD00 45	Kit Caliper Bracket	1	

Handle Bar Assembly



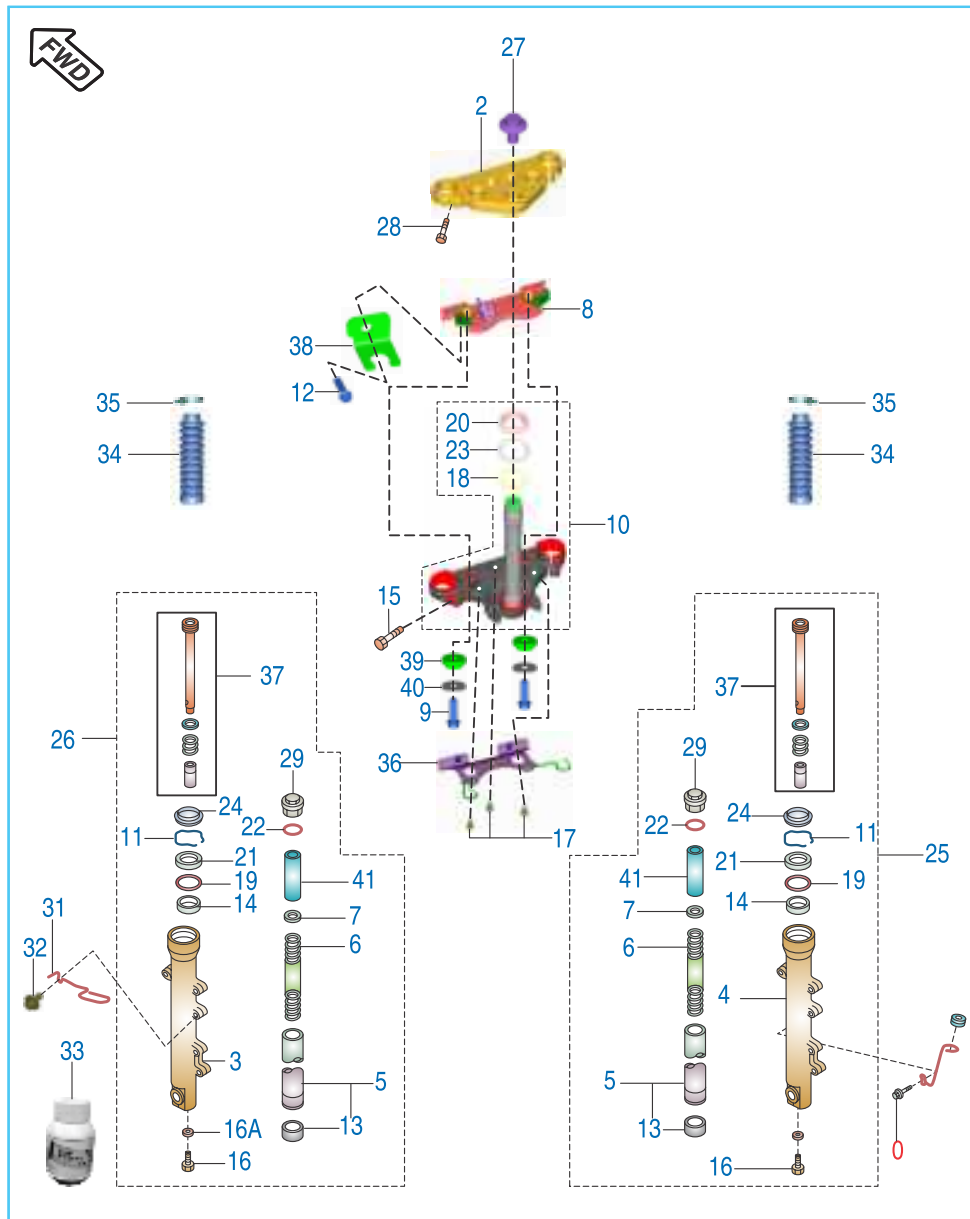
No.	Part No.	Description	Qty.	Remarks
1	PD 1510 00	Handle	1	
2	DK 1810 43	Handle bar weight	2	
3	JM 1910 10	Lever Boot - Clutch Lever	1	
4	PD 1510 20	Holder fork upper	1	
5	PD 2316 04	Mirror Assembly LH (Plastic Housing)	1	
6	PD 1510 01	Holder Handle Upper	1	
7	PD 1510 04	Holder Handle Lower LH	1	
8	PD 1510 05	Holder Handle Lower RH	1	
9	PD 1610 04	Grip RH	1	
10	PD 1610 01	Grip LH	1	
11	DG 1910 10	Lever Assly. Grip Clutch LH	1	
12	DG 1910 12	Lever Grip	1	
13	PD 2316 05	Mirror Assembly RH (Plastic Housing)	1	
14	DG 1910 13	Bolt Clutch Lever	1	
15	30 1910 24	Screw cable Adjust	1	
16	30 1910 17	Nut Cable Adjust Lock	1	
17	DG 1910 14	Nut Lock	1	
18	39 1995 01	Screw CSK Cross	2	
19	39 1993 04	Bolt Upset	1	
20	DG 2010 30	Clutch Switch	1	
21	PD 4014 24	Switch control RH	1	
22	PD 4014 04	Control Switch LH	1	

Handle Bar Assembly



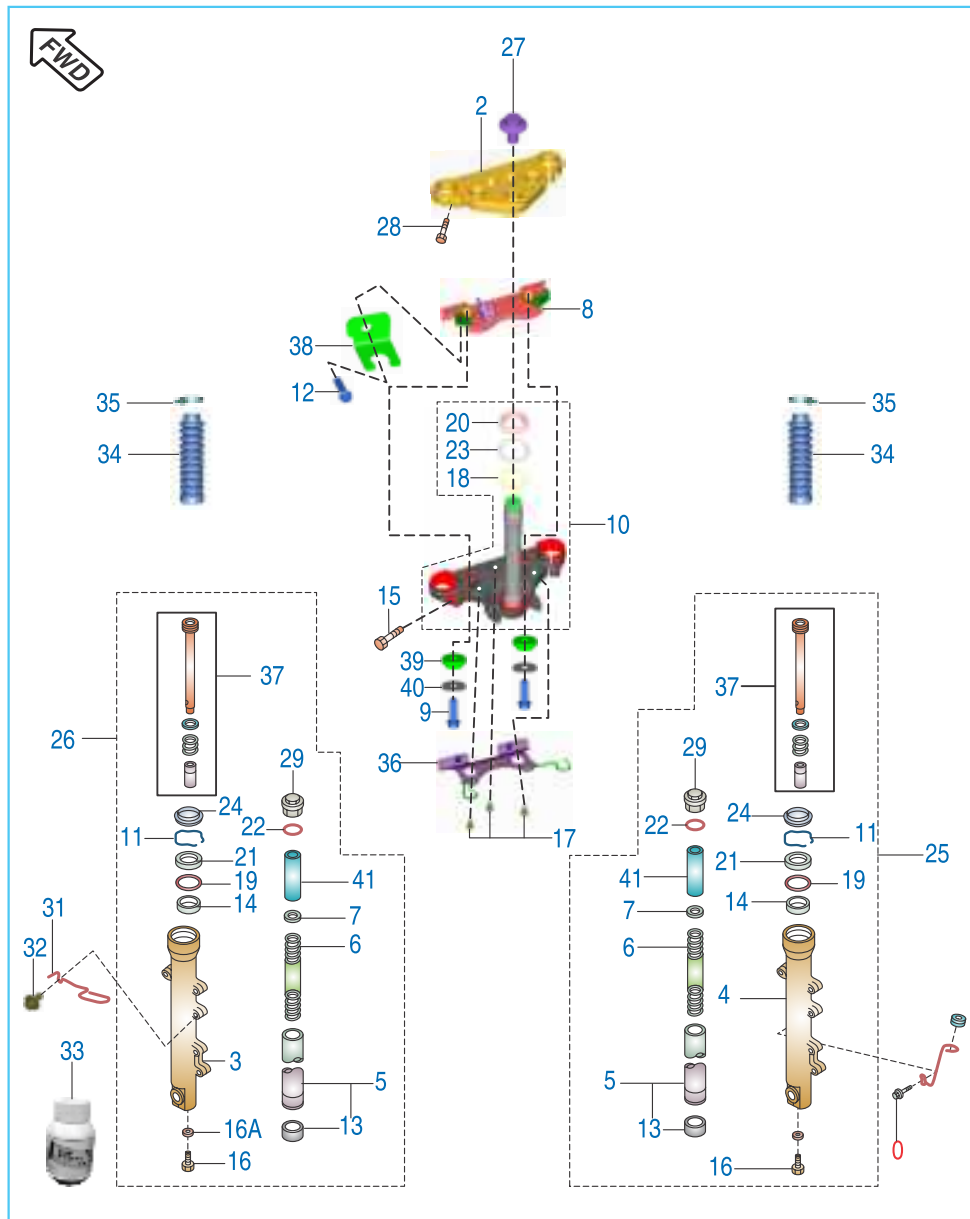
No.	Part No.	Description	Qty.	Remarks
23	39 2427 04	Bolt socket - M6	2	
24	39 0422 15	Nut nyloc M10	2	
25	DG 1810 54	Damper	4	
26	59 0400 03	S. S. Hex flange head bolt	4	
27	DG 1810 96	Washer	2	
28	DH 1910 17	Throttle pipe	1	

Front Fork



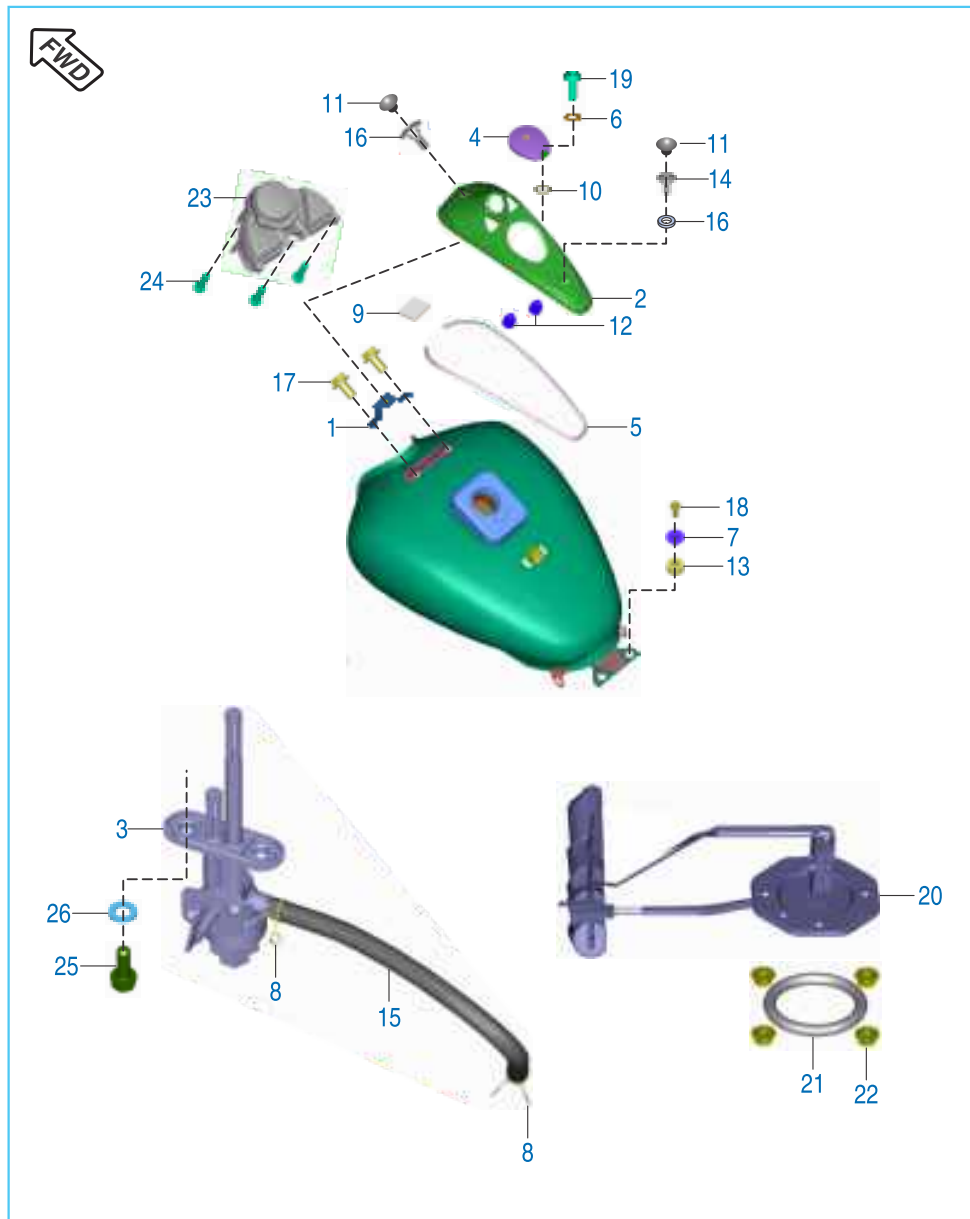
No.	Part No.	Description	Qty.	Remarks
1	PD 1210 07	Front Fork	1	
2	PD 1510 20	Holder Fork Upper	1	
3	PD 1210 09	Tube Outer LH	1	
4	PD 1210 10	Tube Outer LH	1	
5	DV 1810 13	Fork Pipe Inner	2	
6	DG 1810 14	Spring Front Fork	2	
7	DG 1810 15	Seat Fork Spring	2	
8	PD 1812 23	Bracket Cover Fork	1	
9	KA ED06 20	Bolt flanged small	2	
10	PD 1210 15	Under Bracket Assly	1	
11	DG 1810 22	Ring, Oil Seal Stopper	2	
12	KA EA06 22	Bolt flanged small	1	
13	DG 1810 11	Bushing - Front Fork, Inner Pipe	2	
14	DG 1810 13	Bushing - Front Fork, Outer Tube	2	
15	DG 1810 06	Bolt Socket	2	
16	KA CF08 30	Bolt, Fork Cylinder	2	
16A	30 1810 26	Gasket	2	
17	KA DF06 14	Bolt flanged	3	
18	DG 1810 03	Washer	1	
19	DG 1810 24	Spacer	2	
20	DG 1810 05	Race, Steering Stem Bearing	1	
21	36 PD00 82	Fork oil seal kit	2	

Front Fork



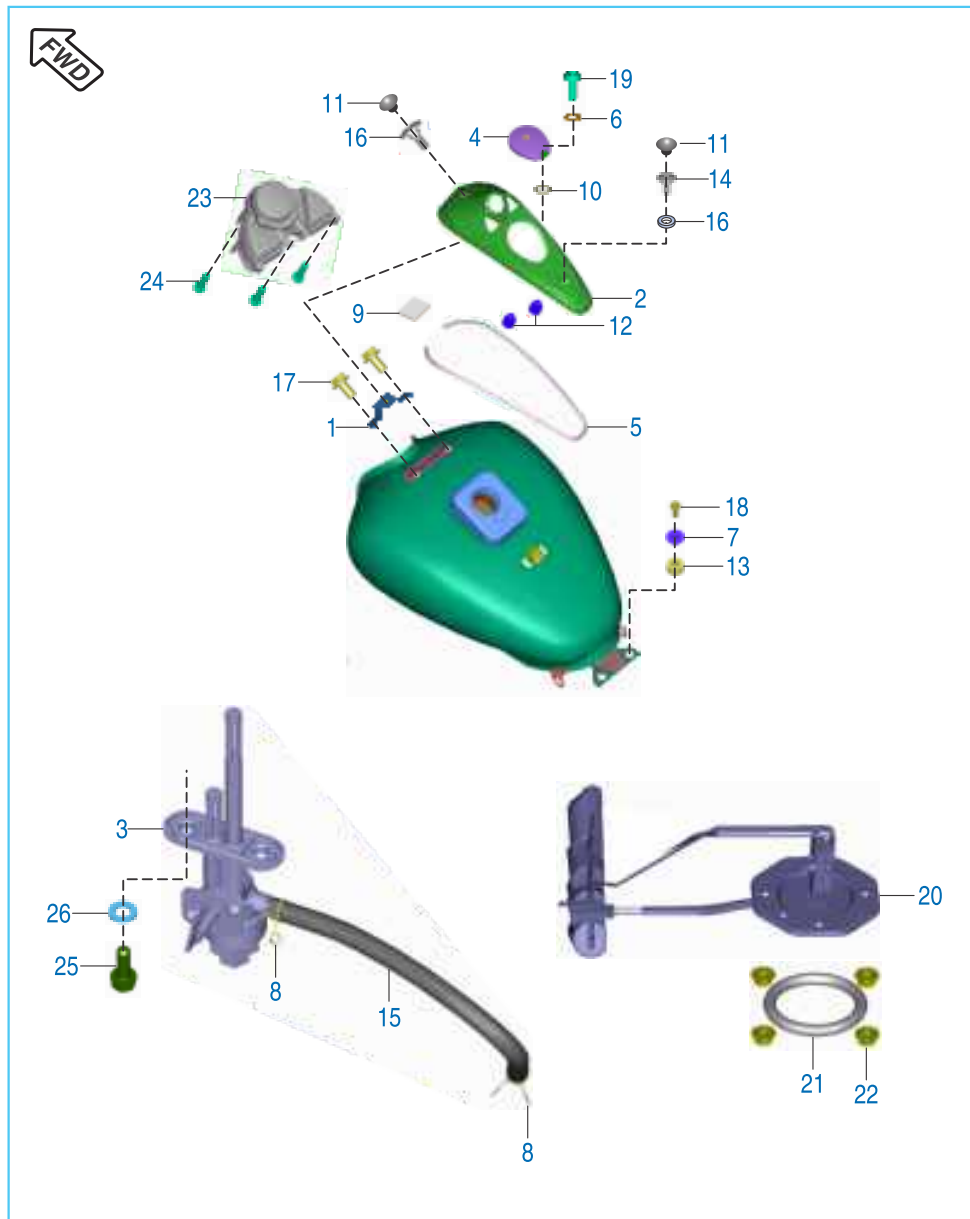
No.	Part No.	Description	Qty.	Remarks
22	DG 1810 26	Ring 'O' Fork Top	2	
23	DG 1810 04	Seal Oil, Steering Stem	1	
24	DG 1810 21	Seal, Fork Outer Tube	2	
25	PD 1210 12	Leg Assly. RH	1	
26	PD 1210 11	Leg Assly. LH	1	
27	59 0400 05	Bolt With Washer M16 x 28L	1	
28	DG 1810 08	Bolt	2	
29	DG 1810 25	Bolt - front fork	2	
30	DP 1611 44	Plate Number Front	1	N. I.
31	DG 1810 41	Clamp S' cable clamp	1	
32	DG 1810 36	Bolt flanged washer	1	
33	36 3140 04	Front Fork oil Bottle 160ml	1	
34	PD 1210 06	Bellow	2	
35	PD 1210 14	Clamp Bellow	2	
36	DG 1810 99	Bracket Front Number Plate	1	
37	DG 1810 28	Cylinder Complete Fork	2	
38	PD 1138 03	Bracket Speedo Cable	1	
39	PD 1812 43	Collar	2	
40	39 1211 11	Plain washer	2	
41	DG 1810 24	Spacer	2	

Fuel Tank



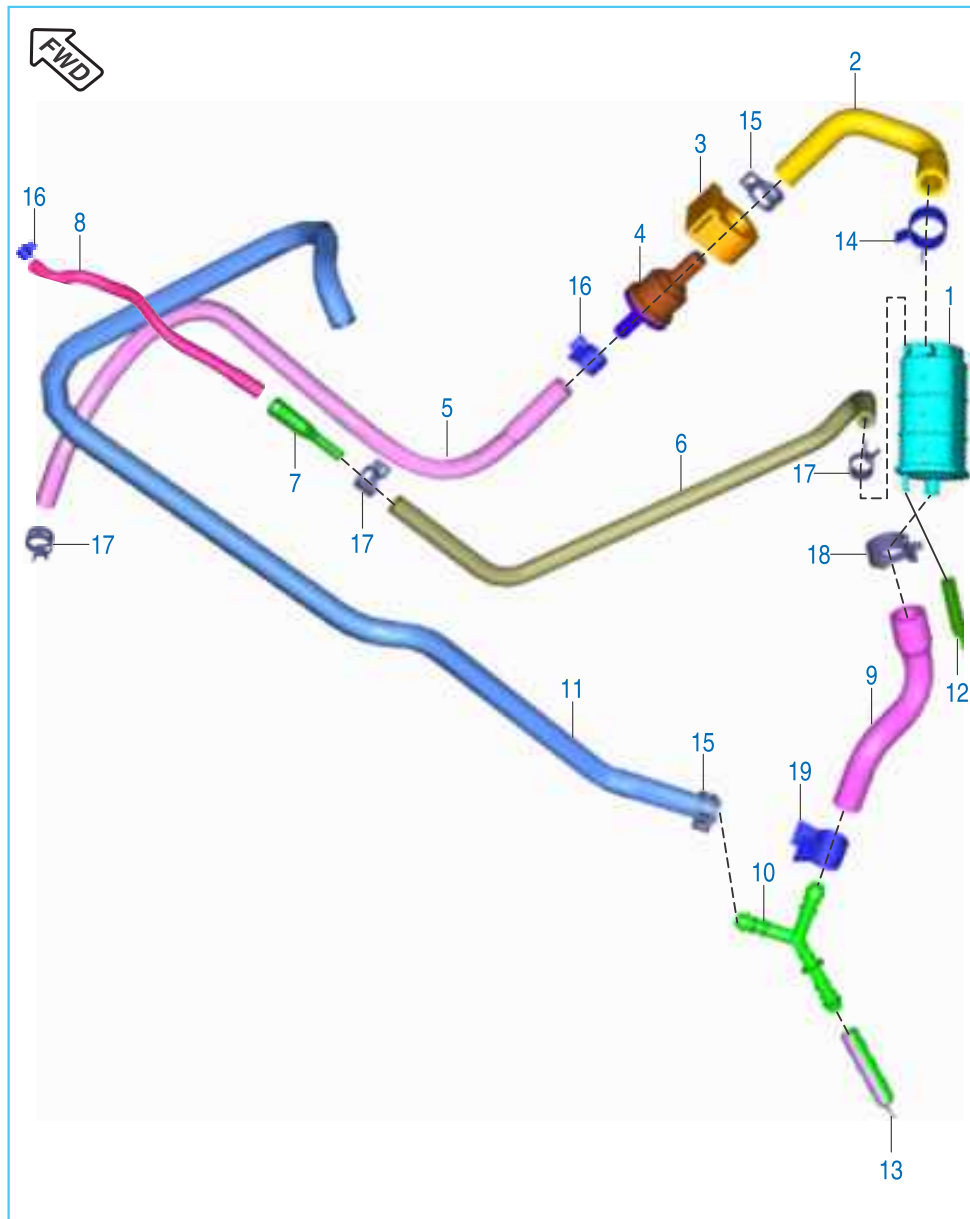
No.	Part No.	Description	Qty.	Remarks
1	PD 1710 48	Bracket Cover Tank	1	
2	PD 1710 08	Cover Fuel Tank Satin Black	1	
3	DJ 1410 56	Fuel Cock Assly.	1	
4	PD 1716 12	Cap Tank Fuel	1	
5	DG 1410 59	Trim	1	
6	LD A000 43	Washer	2	
7	PD 1710 03	Collar	2	
8	33 1410 08	Clamp	1	
9	DG 1410 43	Clamp	1	
10	30 1410 31	Ring 'O'	2	
11	DG 1410 24	Plug	2	
12	DG 1410 25	Damper	2	
13	DG 1410 19	Damper	2	
14	DG 1410 26	Bolt	2	
15	JM 1410 09	Fuel Pipe	1	
16	DG 1410 27	Washer	2	
17	KA DF06 12	Bolt	2	
18	KA DF06 22	Bolt Flanged	2	
19	LB B000 14	Screw Pan Cross	2	
20	PD 4026 02	Fuel gauge assembly	1	
21	JH 1710 17	O ring fuel gauge	1	
22	KC GA05 05	Nut hex flanged	4	

Fuel Tank



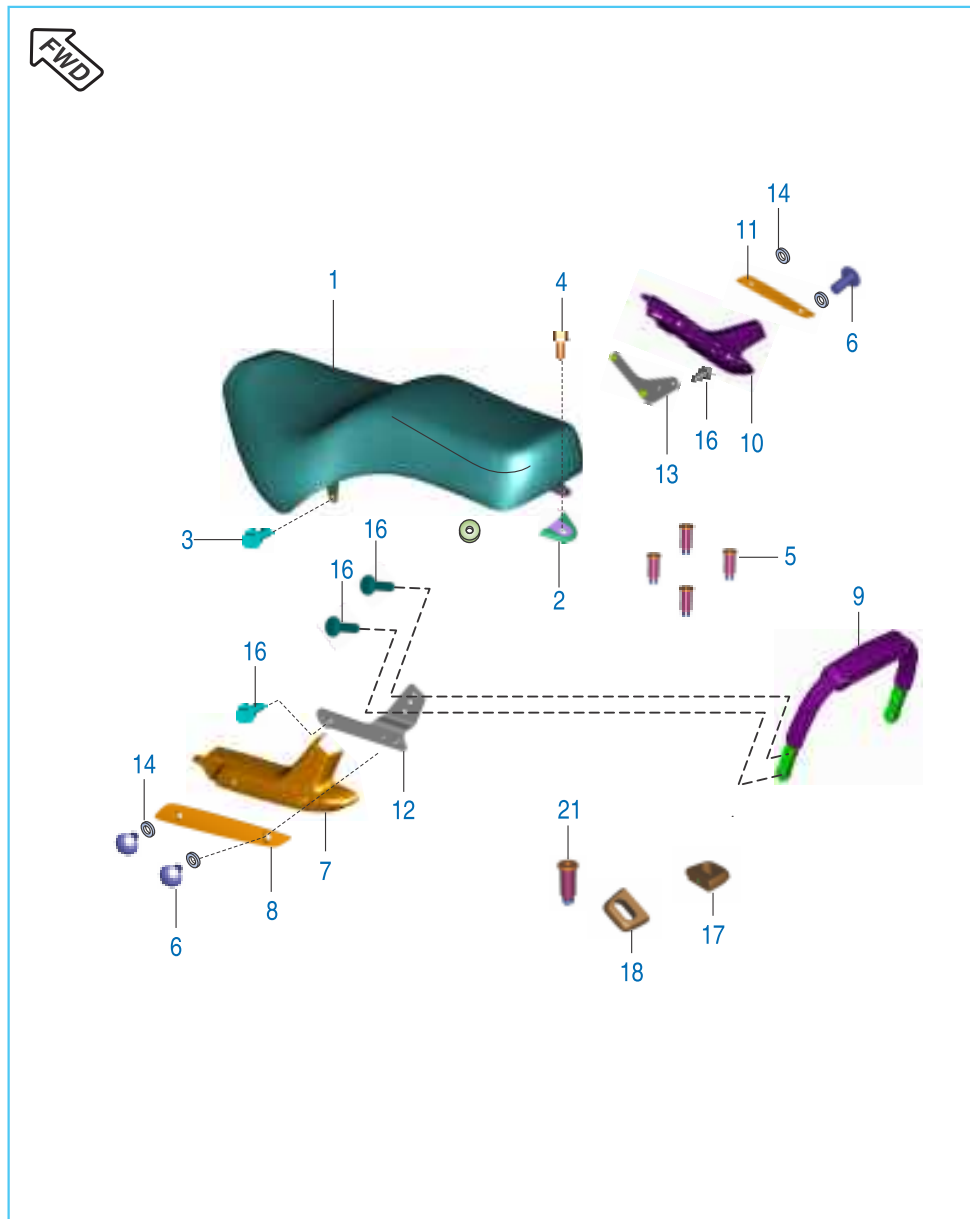
No.	Part No.	Description	Qty.	Remarks
23	PD 4026 08	Console tell tale	1	
24	39 1027 02	Screw cross cheese head	3	
25	DD 1412 27	Bolt Fuel Cock Mounting	2	
26	39 0740 11	Washer	2	
27	PA 4010 18	LED Bulb	3	N.I.
28	GF 2010 50	Bulb 12V, 1.7 W	1	N.I.

EVAP Mechanism



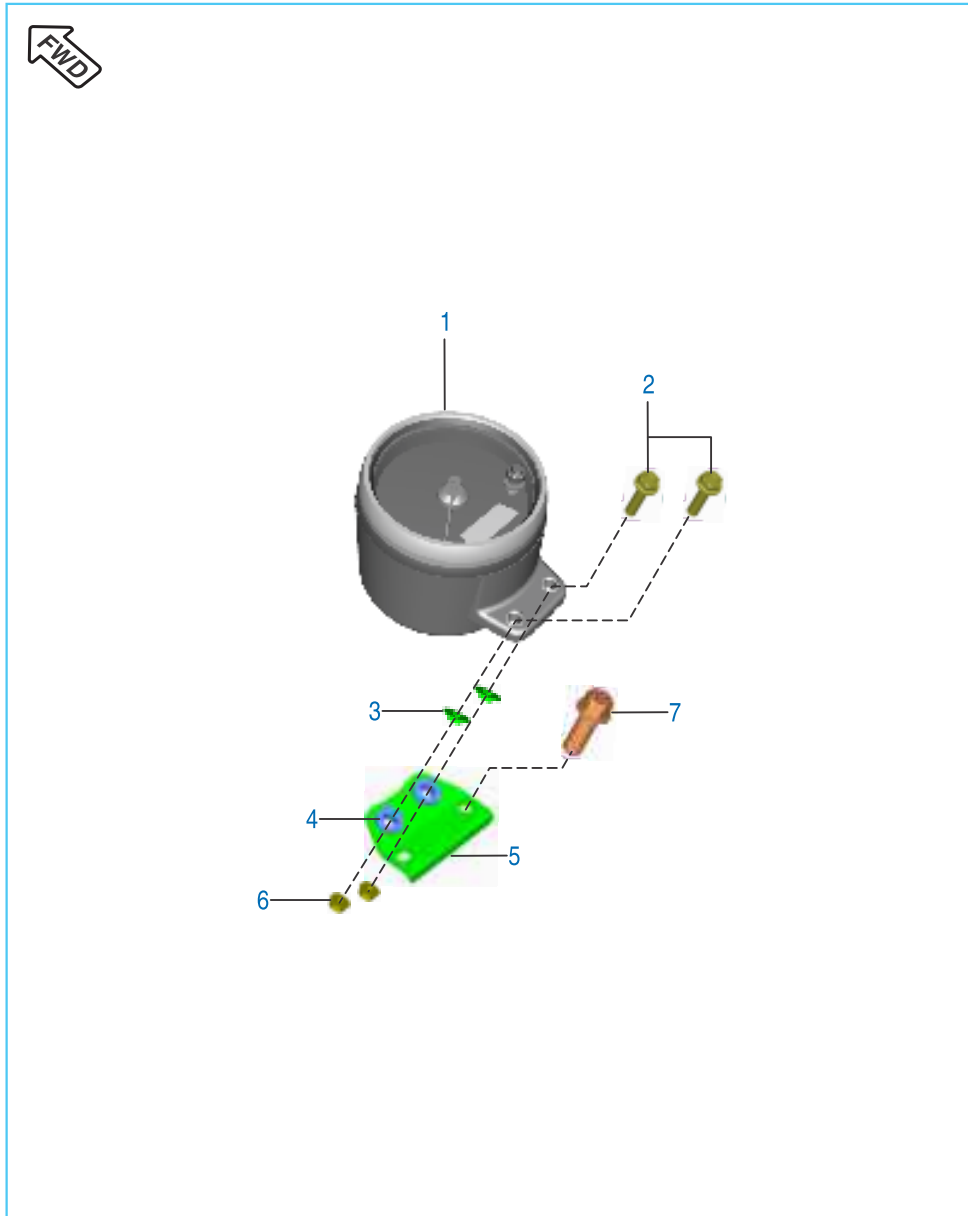
No.	Part No.	Description	Qty.	Remarks
1	JY 1710 77	Canister	1	
2	PD 1716 05	Tube Canister to Purge Valve	1	
3	JH 1710 48	Grommet Purge Valve	1	
4	PD 1716 16	Valve Purge	1	
5	PD 1716 06	Tube Purge Valve To Carburettor	1	
6	PD 1716 04	Tube inline connector to canister	1	
7	JG 1710 86	Connector Tube EVAP	1	
8	PD 1716 02	Tube Tank To Inline Connector	1	
9	PD 1716 09	Tube Canister Breather	1	
10	JY 1138 42	Connector Y Shape	1	
11	PD 1716 19	Tube Y-connector breather canister	1	
12	PD 1710 29	Tube Canister Drain	1	
13	DM 1210 14	Tube oil drain	1	
14	JY 1710 69	Spring band clamp 15 x 10	1	
15	JL 1711 02	Clamp band spring 12.5 x 8	2	
16	JG 1710 29	Spring band clamp 11.5 x 8.4	2	
17	JL 1711 01	Clamp band spring 9.5 x 8.4	3	
18	JH 1716 02	Clamp - canister breather	1	
19	JY 1710 90	Spring Band Clamp 13 x 12	1	

Seat / Grip Frame Rear / Cover Grip Frame



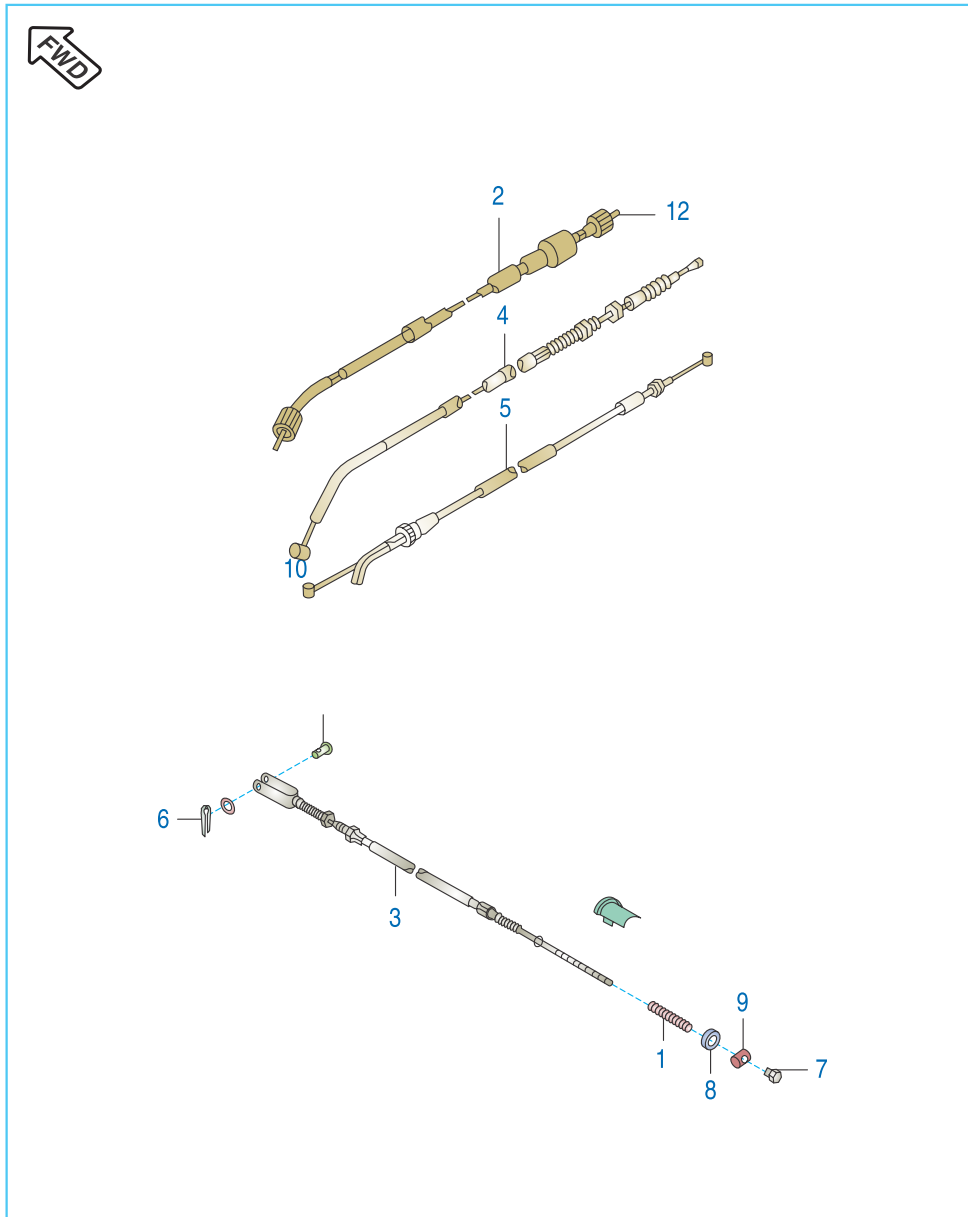
No.	Part No.	Description	Qty.	Remarks
1	PD 1910 09	Seat Assly.	1	
2	PD 1910 01	Washer Nylon	1	
3	LA G000 10	Bolt - M6	2	
4	KA DA06 14	Bolt Flanged	1	
5	PD 2314 12	Nail	4	
6	KB UA06 16	Screw truss	4	
7	PD 1812 12	Cover Grab Rear LH	1	
8	PD 1812 14	Side Plate Grip LH	1	
9	PD 2314 20	Grab Rear	1	
10	PD 1812 13	Cover Grip Rear RH	1	
11	PD 1812 15	Side Plate Grip RH	1	
12	PD 2314 02	Grip frame LH	1	
13	PD 2314 03	Grip frame RH	1	
14	KD BA06 13	Washer Plain	4	
15	LA C000 90	Bolt flanged	4	
16	39 2310 04	Flange bolt	4	
17	PD 2314 11	Cap Grab Rail RH	1	
18	PD 2314 04	Cap Grab Rail LH	1	

Speedometer



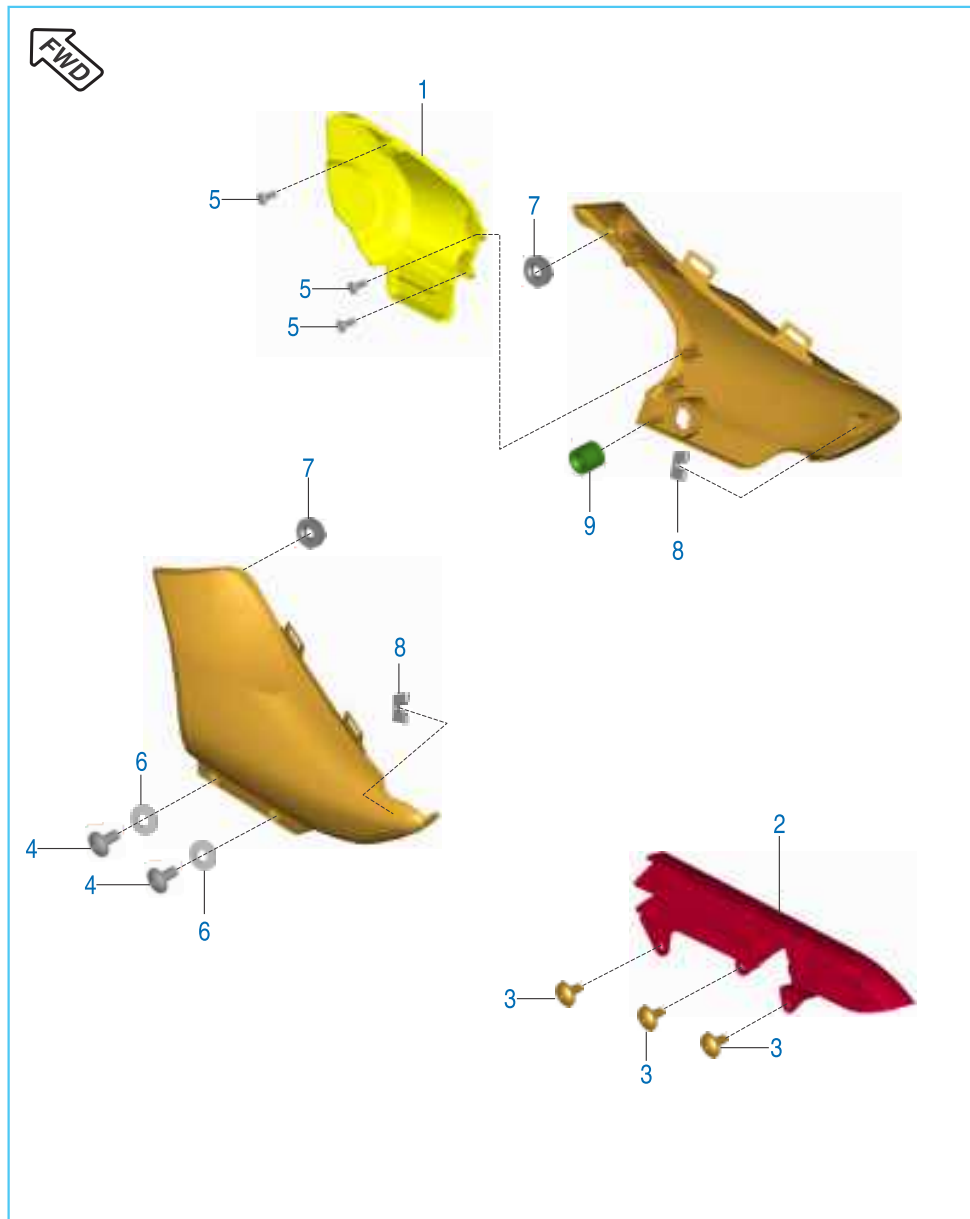
No.	Part No.	Description	Qty.	Remarks
1	PD 4024 18	Speedometer	1	
2	KA DA06 25	Bolt flanged	2	
3	DV 1810 10	Collar speedo mtg	4	
4	DV 1810 09	Grommet speedo mtg.	2	
5	DV 1810 08	Bracket Speedo	1	
6	KC GA06 06	Nut hex flanged	2	
7	39 1672 04	Flange bolt - M6 x 16	2	

Cables



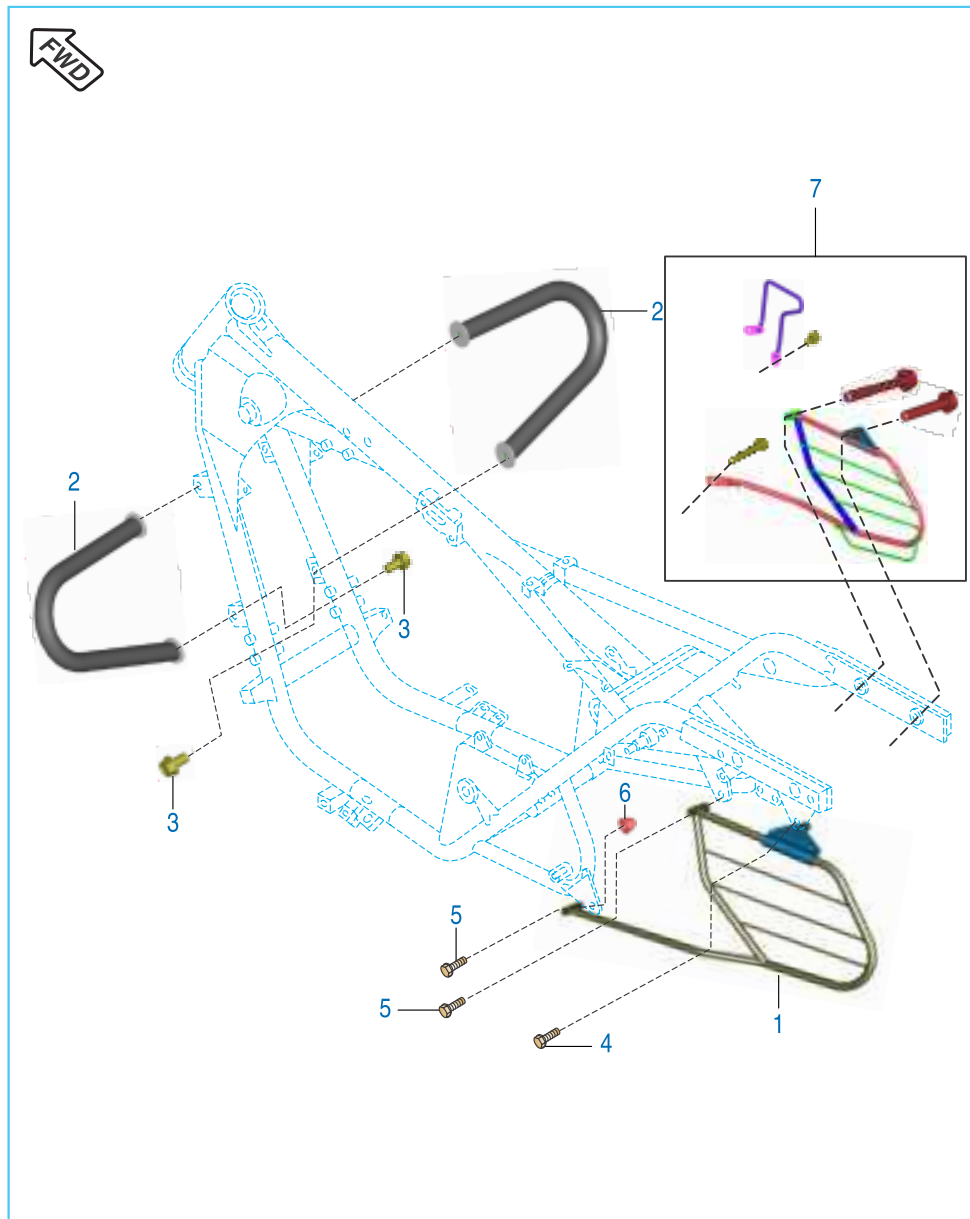
No.	Part No.	Description	Qty.	Remarks
1	30 1910 35	Spring, Brake Rod	1	
2	DK 2010 98	Cable Speedometer	1	
3	JM 1910 13	Cable brake rear	1	
4	PD 1612 07	Cable Clutch	1	
5	PD 1612 08	Cable Throttle	1	
6	39 0146 08	Split pin	1	
7	30 1910 36	Nut Brake Rod	1	
8	39 1211 11	Washer Plain	1	
9	DG 1910 50	Pin Brake Rod	1	
10	DG 1910 51	Pin	1	

Side Covers / Chain Cover



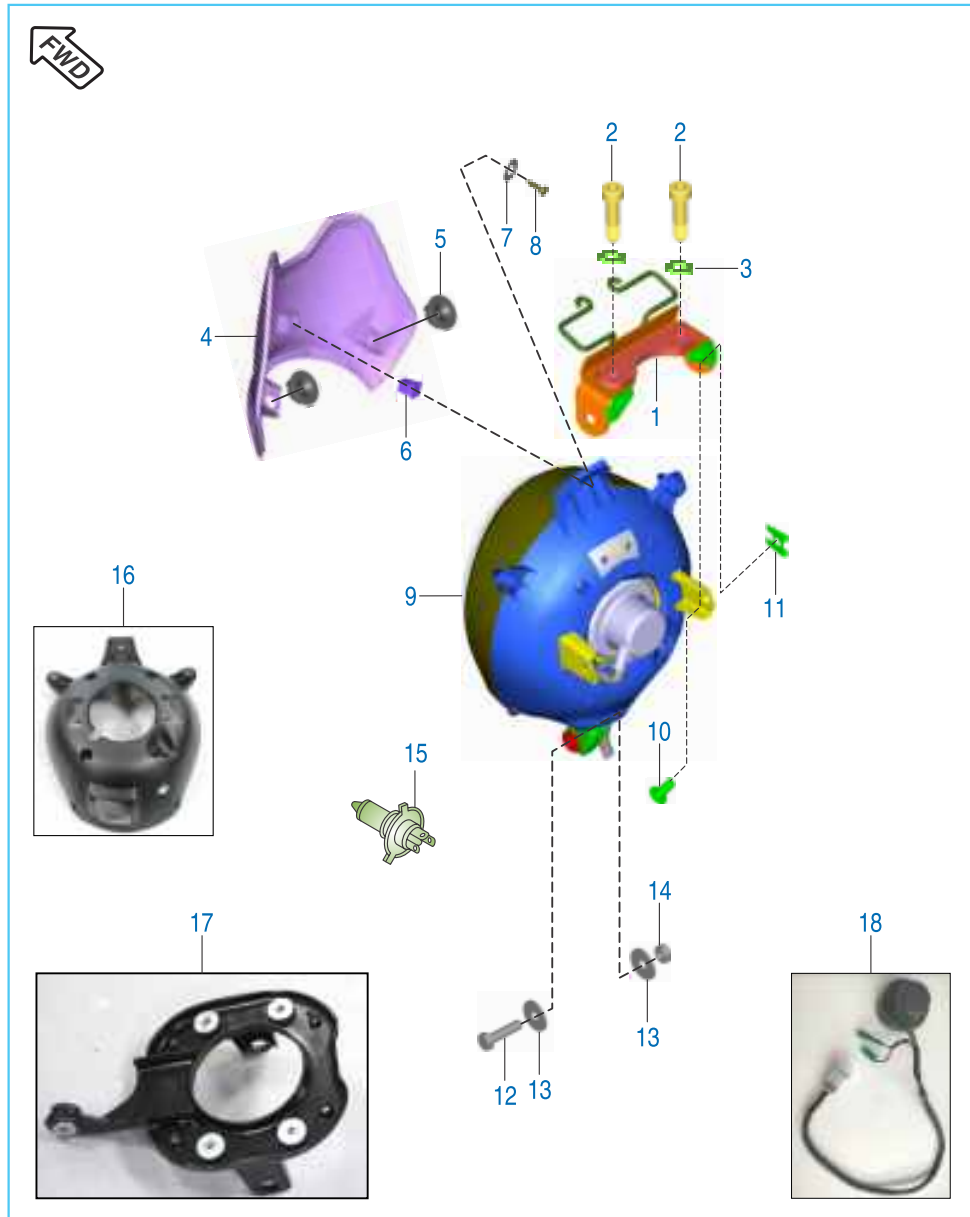
No.	Part No.	Description	Qty.	Remarks
1	DG 1612 20	Cover - Side R	1	
2	DG 1611 20	Case Chain	1	
3	DG 1611 21	Screw Tapping	3	
4	39 1076 01	Screw	2	
5	DG 1611 17	Screw	3	
6	31 1610 78	Washer	2	
7	DG 1611 18	Grommet	2	
8	DD 1610 22	Damper	2	
9	DG 1612 25	Damper	1	

Guards



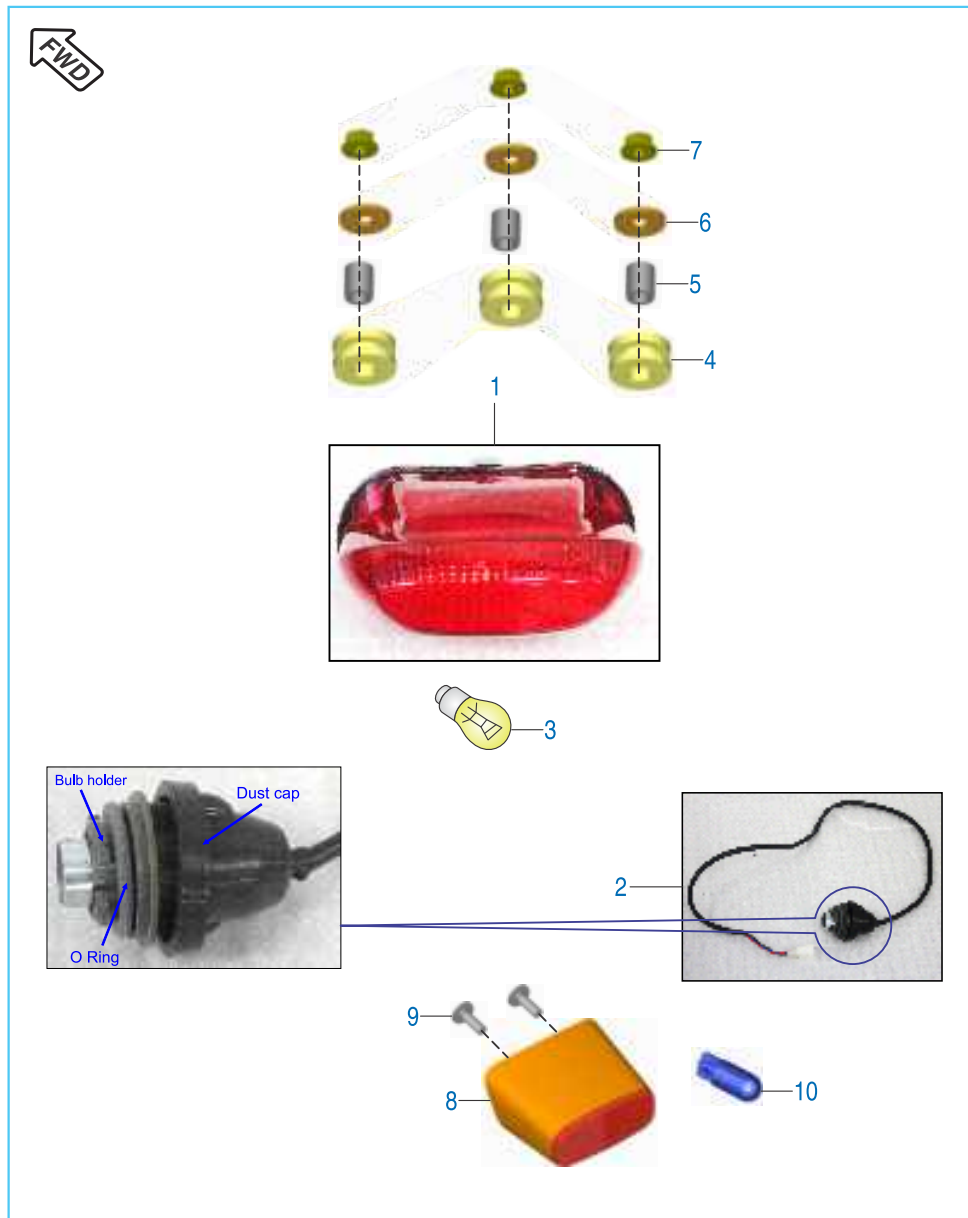
No.	Part No.	Description	Qty.	Remarks
1	PD 2312 01	Guard Sari	1	
2	PD 2312 02	Guard - Front Bumper	2	
3	KA DD08 14	Bolt Flanged	4	
4	KA DU08 40	Bolt Flanged	1	
5	KA DU08 55	Bolt Flanged M8	2	
6	39 2535 15	Nut - domed cap - M8	1	
7	36 PD00 78	Kit saree guard + grab + fitting	1	Refer Kit List

Head Light



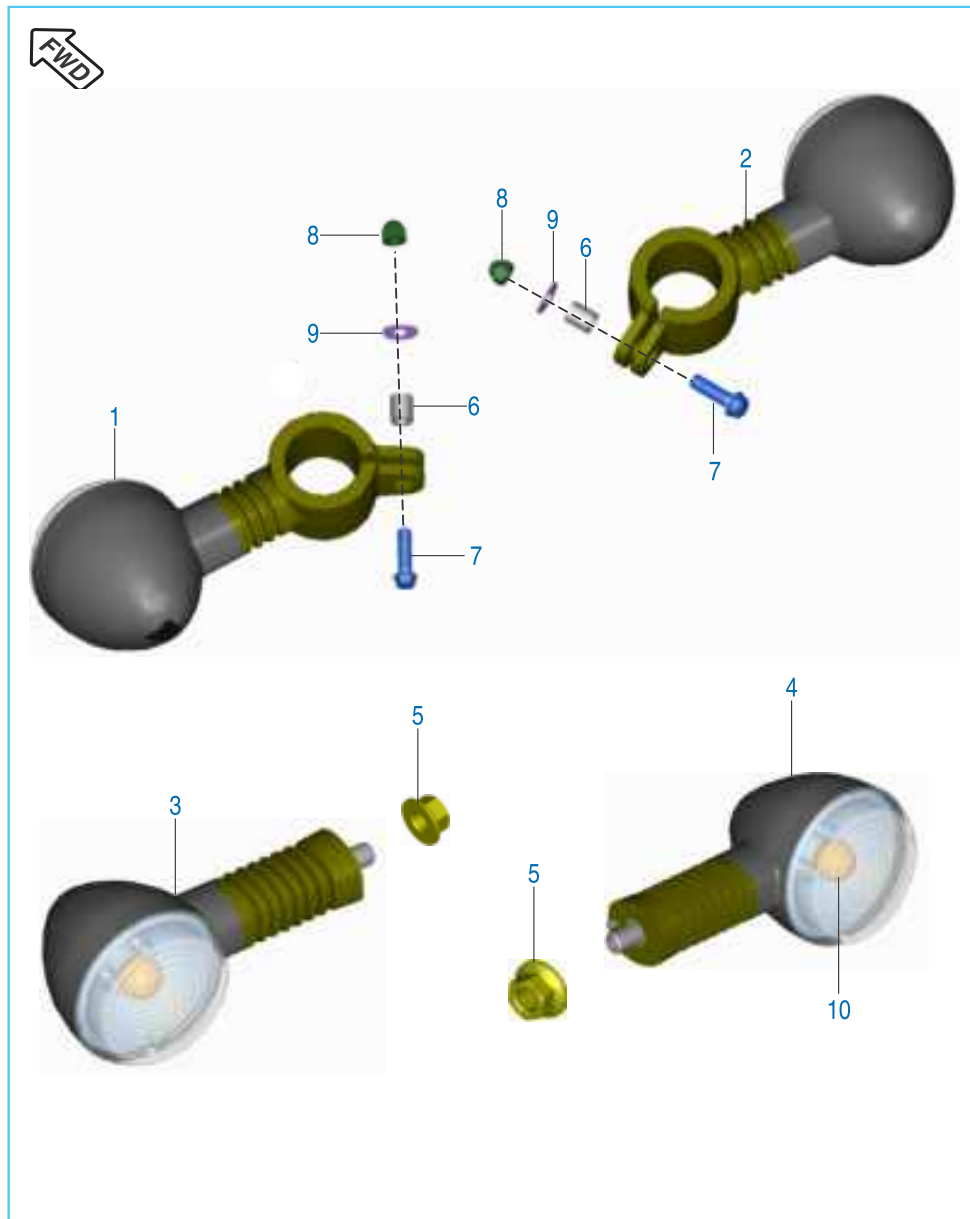
No.	Part No.	Description	Qty.	Remarks
1	PD 1812 41	Bracket lamp head upper	1	
2	LA C000 16	Bolt socket M8 x 35	2	
3	LD A000 34	Washer plain	2	
4	PD 1812 22	Visor	1	
5	JP 1812 29	Grommet ignition switch cover	2	
6	PD 1812 45	Nut special	1	
7	KD AE05 10	Washer plain	1	
8	KB RA48 19	Screw tapping pan cross	1	
9	YP D140 01	Head lamp with DRL & without Bulb	1	
10	PD 1812 39	Pin	2	
11	JG 1812 43	Securing clip - Piv bolt - mask carrier	2	
12	LA C000 27	Bolt socket head	1	
13	39 1211 11	Plain washer	2	
14	LC L000 02	Nut flange - M6	1	
15	PD 4010 14	Bulb H4 Blue Tinge- 55/60W	1	
16	YP D140 02	Back cover with hardware	1	
17	YP D140 03	Head light mounting bracket	1	
18	YP D140 04	Wiring harness	1	

Tail Light / Reflector Reflex



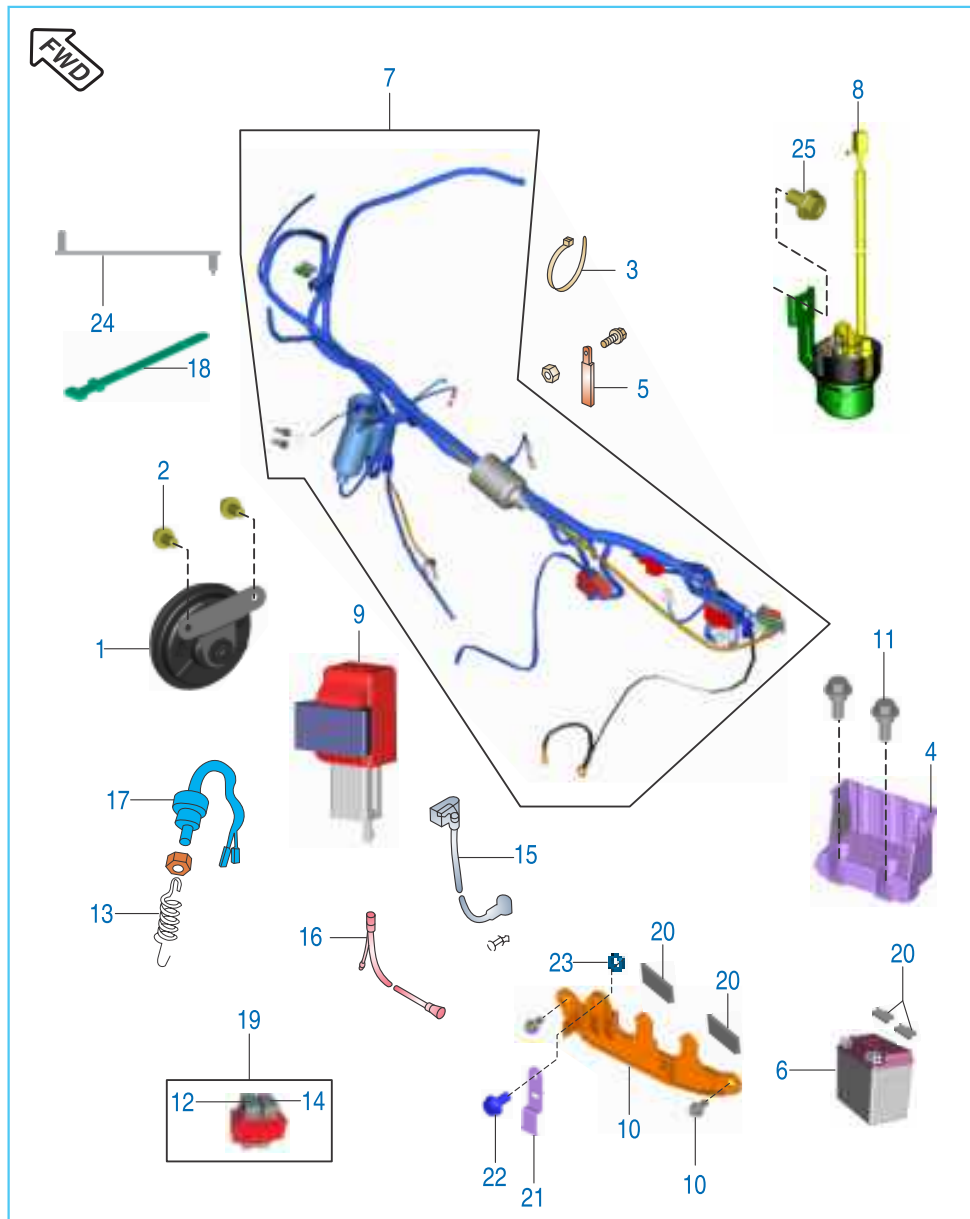
No.	Part No.	Description	Qty.	Remarks
1	YP D150 01	Tail lamp without bulb	1	
2	YP D150 02	Wire holder assembly	1	
3	AA 2012 27	Lamp 12V - 21/5W	1	
4	DG 2010 15	Damper	3	
5	31 2010 01	Collar	3	
6	39 0211 11	Washer plain	3	
7	KC GA06 06	Nut hex flanged	3	
8	PD 4010 38	Lamp number plate illumination	1	
9	LB U000 09	SCREW - TRUSS - M5	2	
10	JD 4010 32	Bulb 12V 5W	1	

Indicator Light



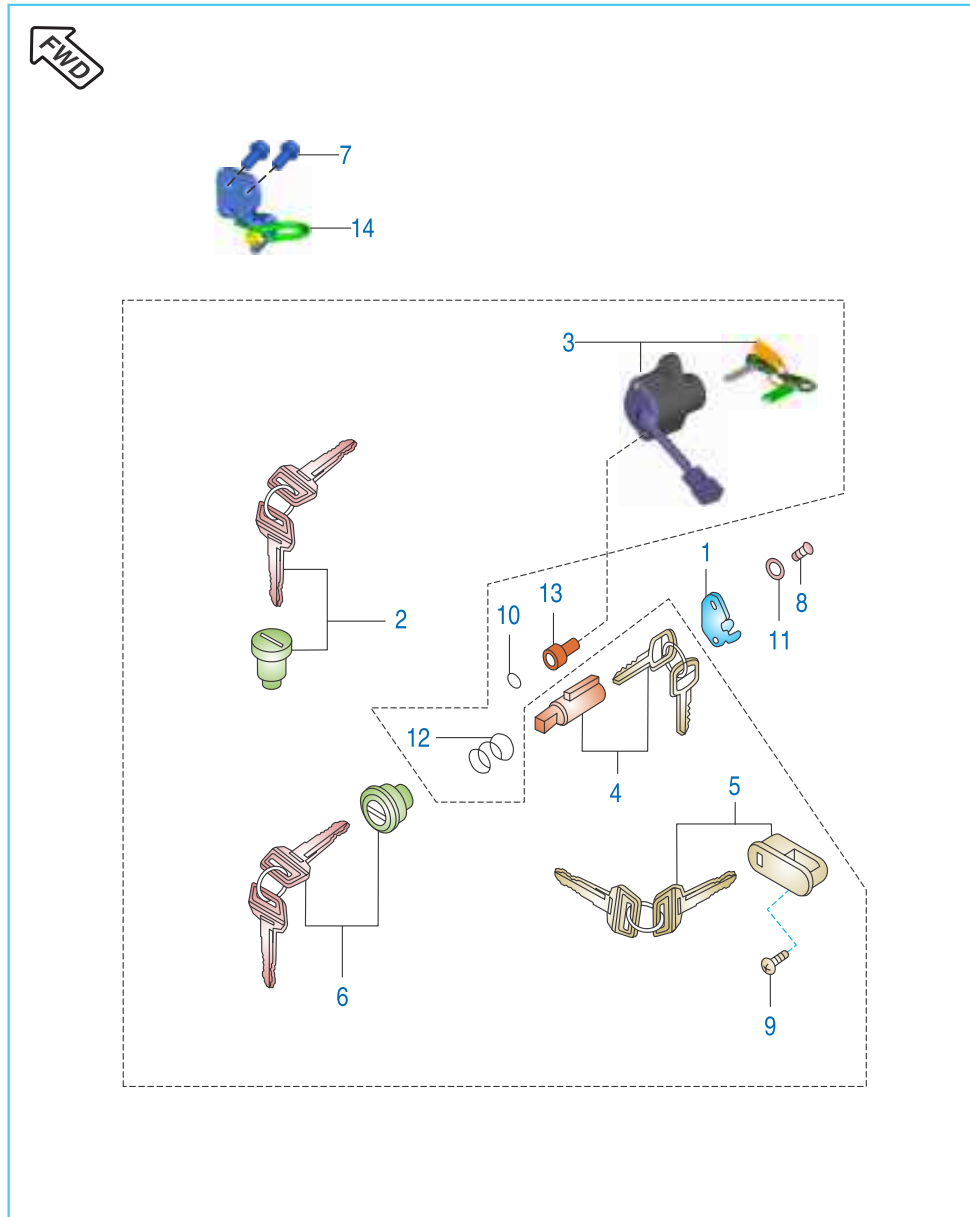
No.	Part No.	Description	Qty.	Remarks
1	PD 4010 45	Indicator front LH	1	
2	PD 4010 46	Indicator front RH	1	
3	PD 4010 32	Indicator LH rear	1	
4	PD 4010 33	Indicator RH rear	1	
5	39 1225 15	Nut Flanged	2	
6	31 2010 01	Collar	2	
7	KA EA06 22	Bolt flanged small	1	
8	39 0798 15	Nut Cap	2	
9	39 0239 11	Plain washer	2	
10	GH 2010 12	Bulb (10W)	4	

Electrical Equipment



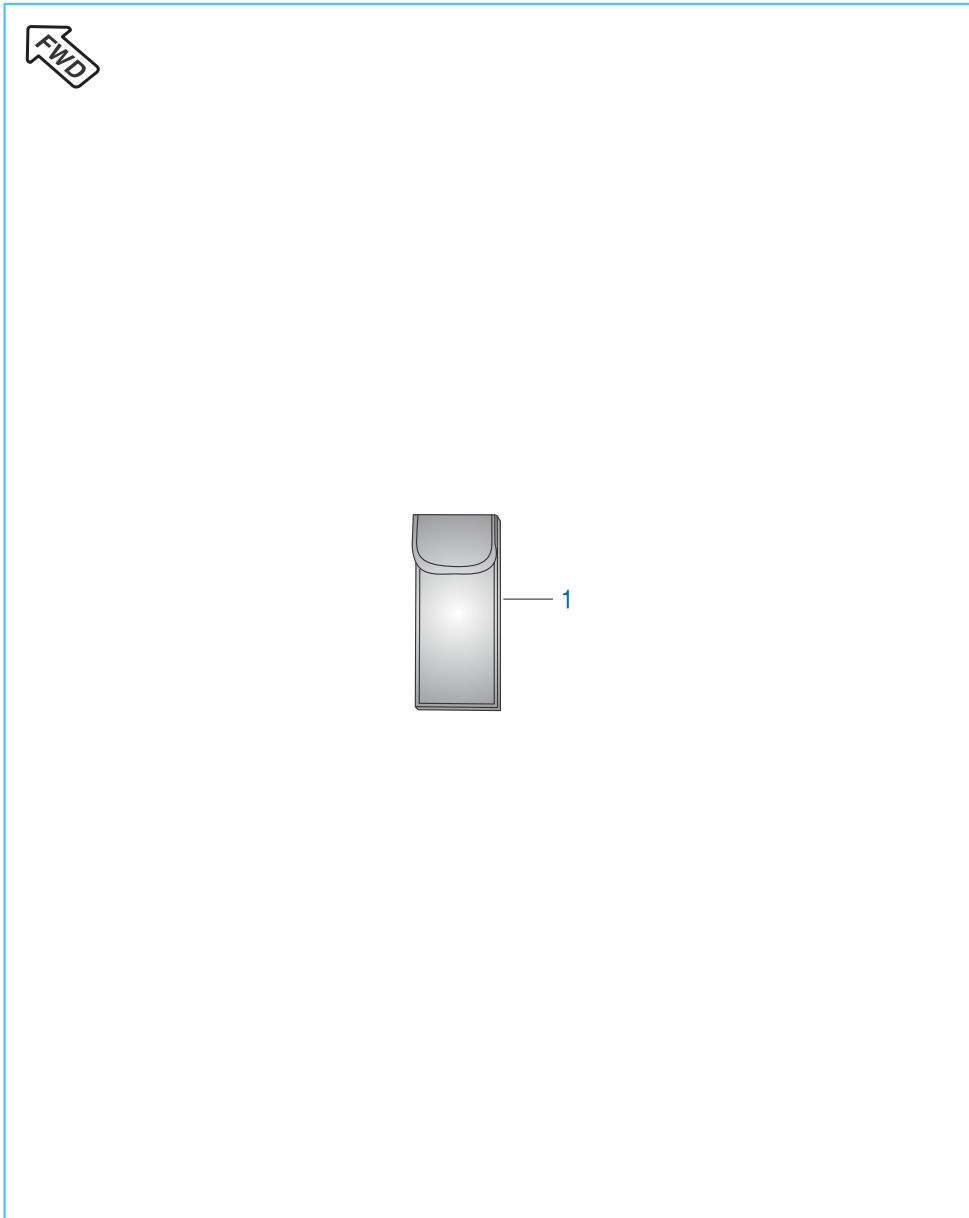
No.	Part No.	Description	Qty.	Remarks
1	PD 4016 01	Horn	1	
2	KA DD06 12	Bolt flanged	2	
3	30 1910 48	Band	3	
4	PD 1810 00	Battery Box	1	
5	DK 2010 49	Clamp wiring harness	1	
6	JF 4018 03	Battery 4 Ah VRLA	1	
7	PD 4022 37	Wiring Harness	1	
8	DV 2010 16	Starter Relay Assly.	1	
9	DS 2010 25	Flasher	1	
10	DV 1610 36	Band Battery Bracket	1	
11	LA D000 43	Bolt flanged - stepped - M6	2	
12	AK 2010 12	Fuse 10A	2	
13	JM 1910 14	Spring Rear Brake Switch	1	
14	AP 2010 25	Fuse 15A	2	
15	PD 4022 14	Cable Assly. (Motor to St. Rly.)	1	
16	PD 4022 13	Cable Assly. (Battery to Earth)	1	
17	DG 2010 61	Rear Brake Switch	1	
18	JD 4022 17	Band (L 150)	4	
19	JL 4022 07	Fuse box assy with fuse	1	
20	JG 4018 08	Foam battery bkt 35 x 15 x 3	4	
21	PD 1138 00	Bracket fuse	1	
22	KA DD06 12	Bolt flanged	1	
23	KC BA06 04	Nut hex thin	1	
24	PD 4022 06	Flexi band 55 mm	1	N.I.
25	KA DD06 10	Bolt flanged	1	

Ignition Switch & Control Switch



No.	Part No.	Description	Qty.	Remarks
1	DG 1810 55	Cap, Steering Lock	1	
2	DG 1410 17	Rotor, Lock, Tank Cap	1	
3	PD 2326 04	Set lock	1	
4	PD 2326 03	Lock Assly Steering	1	
5	DG 2210 09	Lock Assly Helmet	1	
6	DG 1611 68	Lock Assly Side Cover	1	
7	KA EA06 12	Bolt flanged small	2	
8	DG 1810 57	Screw	1	
9	DH 1013 81	Screw	1	
10	DG 2010 23	Plug	1	
11	DG 1810 58	Washer Wave	1	Deleted-01 Mar 18
12	DG 1810 59	Spring Steering Lock	1	
13	39 1975 04	Bolt Socket	1	
14	PD 1138 09	Bracket ignition lock mtg loose	1	

Tool Kit



No.	Part No.	Description	Qty.	Remarks
1	JM 2210 03	Tool Kit	1	

Painted Parts and Decals



No.	Part No.	Description	Qty.	Remarks
1	52 PD05 95	Fuel tank ebony black	1	
	52 PD05 98	Fuel tank spicy red	1	
2	52 PD05 96	Side cover LH spicy red	1	
	52 PD06 08	side cover LH ebony black	1	
3	52 PD05 97	Side cover RH spicy red	1	
	52 PD06 09	Side cover RH ebony black	1	
4	56 PD4H X3	Front Fender Ebony Black	1	
5	56 PD06 X3	Rear Fender Ebony Black	1	
6	PD 2330 92	Decal cover side LH	1	
	PD 2330 77	Decal cover side LH	1	
7	PD 2330 93	Decal cover side RH	1	
	PD 2330 78	Decal cover side RH	1	
8	PD 2330 63	Decal 3D LH	1	
9	PD 2330 64	Decal 3D RH	1	
10	36 PD00 76	Kit tank decal spicy red	1	
	36 PD00 77	Kit tank decal ebony black	1	

Consumable Parts



No.	Part No.	Description	Supply Unit	Application
1	36 0010 61 83 0204 11 83 0203 34	Bajaj Genuine Oil 10W50 Bajaj Genuine Oil 10W30 Bajaj Genuine Oil 20W50 (BGO to be ordered to HPCL)	1.5 Ltr. 1 Ltr. 1 Ltr.	Dominar 400 100cc Models 125cc and above models
2	36 0010 58	Bajaj Coolant Koolex	1 Ltr.	Coolant Top-up/Replace
3	36 DH40 61 83 0203 25	Brake Fluid DOT4 Brake Fluid DOT3	100 ml 100 ml	Disc Brake Top-up/Replace Disc Brake Top-up/Replace
4	36 DH40 52	Silicon grease	3 gm	Caliper Pin
5	83 0204 73 83 0203 68	Grease Petamo GHY 441 Grease Molycoat	3 gm 200 gm	Water Pump Seals For Starter Clutch Lubrication
6	36 0010 52	HP Lithon RR Grease	10 gm	Steering Race
7	83 0201 73	Multi Purpose Grease (Local Purchase)	--	Lubrication of Clutch Lever, Brake Lever, Brake Pedal & Side Stand
8	36 0010 55	Chain Lubricant HP Make	1 kg	Non - Sealed Chain Lubrication
9	36 0010 62	Liquid gasket L5910	50 ml	Crankcase Joining
10	36 3140 04	Fork oil	160 ml	Front Fork Top-up/Replace
11	36 DH40 29	Kit Spray Chain Lub	100 ml	Sealed Drive Chain
12	36 DH40 71	Wonderfill Chain Spray	100 ml	Sealed Drive Chain

Consumable Parts

13		14		15	
16		17		18	
19		20		21	
22		23		24	

No.	Part No.	Description	Supply Unit	Application
13	36 DH40 72	Rust Remover Spray Make - Zorric 88 & Wonder fill easiner	100 ml	For Removing Rust from Components
14	76 0109 36	Loctite Thread locker 243	50 ml	For Screws & Bolts
15	76 0109 37	Loctite retaining compound 638	50 ml	For Screws & Bolts
16	37 0043 52	Touch up paint slate grey	440 ml	Touch up of Frame, Swing Arm & Step Holder
17	37 0043 53	Touch up paint Matte Silk black	440 ml	Touch up of Grab Handle, Handle Bar & Handle Holder
18	36 0010 60	Kibatsu touch up paint	400 cc	Touch up of Cylinder head, Block & Alloy Wheels
19	37 2240 18	Paint Bottle Schwartz Black	--	P-200NS Frame Touch-up
20	75 6802 36 NA	Petroleum Jelly (Local Purchase) Distilled Water (Local Purchase)	-- 1 Ltr.	For Battery Terminals For Battery Level Top-up
21	NA	SAE 90 oil (Local Purchase)	-	
22	62 3050 84	WD40 Spray (Local Purchase)	400 ml	Electrical Contact Cleaning Spray
23	36 0010 56	Carburetor Cleaning Spray		For Cleaning Carburetor
24	37 2540 39	Corrosion Protection Spray Proto quick LTP902 (To be ordered on Vendor)	--	For Preventing vehicle parts from rusting

# Kit List



Sr No	Kit Part No.	Kit Description	Consisting of Following Parts		
			Part No.	Description	Qty/Kit
1	36PD0012	Assly clutch cover	PD541228	Clutch cover	1
			DK101738	Decal cover RH	1
			39199020	Bearing - needle	1
			39104119	Seal oil	1
			31101060	Plug	2
			2	36DH4030	Kit chain guide pulsar
			DH101923	Guide cam chain tight side	1
3	DJ101106	Ring set piston	DJ101015	Ring piston top	1
			DJ101016	Ring piston second	1
			DJ101028	Ring piston oil	1
4	36PD0009	Chain sprocket	JM151001	Sprocket (38 T)	1
			DT141005	Chain 110 link	1
			DV101048	Sprocket (14 T)	1
5	36PD0014	Assly c'case RH	PD541018	Crankcase RH (JC)	1
			59050002	Stud bolt (M10)	1
			39258320	Bearing ball6004 - SKF	1
			59200027	Bearing NRB HK 1516 (15*21*16)	1
			39260120	Bearing ball	1
			39215220	Needle roller bearing	1
6	36PD0013	Assly c'case LH	PD541017	Crankcase LH	1
			CB101220	Plug	1
			59050002	Stud bolt (M10)	1
			39260320	Ball bearing	1
			59200006	Brg ball 6204Z HN3 (20*47*14)	1
			39218520	Deep groove ball bearing	1
			30101014	Seal-oil	1
			39219019	Oil seal	1
			DH101203	Breather pipe	1
7	DJ101711	Assembly head mach. With cover	DJ101708	Cylinder head comp - SAI	1

# Kit List



Sr No	Kit Part No.	Kit Description	Consisting of Following Parts		
			Part No.	Description	Qty/Kit
			DH102306	Cover head cylinder	1
			39099906	Pin - hollow dowel	2
			39107504	Bolt - flanged - small	4
8	DJ101371	Block - piston	DJ101736	Block cylinder assembly	1
			DJ101158	Piston assembly	1
9	36DS1001	Cyl. Head O ring kit	39239121	O ring (Cover tappet)	2
			39128321	O ring	2
10	DK101326	Valve repair kit	DK101247	Retainer valve spring	2
			DK101108	Spring valve inner	2
			DK101110	Spring valve outer	2
			DK101246	Seat valve spring	2
11	36DK0007	Kit centrifugal oil filter	39220011	Washer	1
			DH101234	Gasket centrifugal oil filter	1
			39226701	Oval screw	3
			DH101066	Join oil deliver	1
			DH101067	Spring oil deliver	1
			39219908	Pin oil deliver joint	1
12	36DK0038	Set primary drive / driven	DK101561	Clutch housing	1
			DH101628	Gear primary drive	1
13	36PD0030	Kit friction plate	DK101566	Clutch friction disk (CFD)	4
			PD551419	Disk c friction clutch	1
			DK101568	Clutch friction disk - b	1
14	36JG0011	Kit steering head bearing	DK181050	Cage bearing steering top	1
			DG181045	Bearing cone - upper	1
			DG181005	Bearing cone	1
			DG181003	Washer	1
			DG181004	Seal - oil	1
			DK181051	Cage bearing steering bottom	1

# Kit List



Sr No	Kit Part No.	Kit Description	Consisting of Following Parts		
			Part No.	Description	Qty/Kit
			DG181047	Bearing race - lower	1
			DG181046	Bearing race - upper	1
15	52DH0169	Oil pump assembly	DH121001	Pump assembly - oil	1
			DH121010	Mesh - filter - oil pump	1
			39219421	Ring - o	1
			DH121035	Clip mesh oil filter	1
16	36DH4019	Kit centrifugal oil filter	39220011	Washer	1
			DH101234	Gasket centrifugal oil filter	1
			DH101640	Oval screw	1
			DH101066	Join oil delivery	1
			DH101067	Spring oil delivery	1
			39219908	Pin oil delivery joint	1
17	36DJ1004	Valve Kit	Dj101124	VALVE - INTAKE	1
			Dj101125	VALVE - EXHAUST	1
18	36PD0074	VACUUM PISTON ASSY KIT	DJ 12 1012	PISTON VALVE ASSY	1
			DJ 12 1013	SPRING (CO)DH 12 1047RING	1
			DH 12 1048	DIAPHRAGM	1
			DH 12 1049	PLATEDH 12 1050SPRING (CO)	1
			DH 12 1051	E-RING	1
			DH 12 1052	WASHER	1
			DH 12 1160	RING (SHIM)	1
			DH 12 1065	SCREW	1
19	36DH4136	PILOT SCREW KIT	DJ 12 1036	ADJUSTER	1
			DH 12 1086	SPRING (CO)	1
			DH 12 1087	WASHER	1
			DH 12 1088	O-RING	1
			DH 12 1130	O-RING	1

# Kit List



Sr No	Kit Part No.	Kit Description	Consisting of Following Parts		
			Part No.	Description	Qty/Kit
20	DH 12 1168	IDLING ADJUSTER KIT	DH 12 1163	SPRING	1
			DH 12 1077	PACKING	1
			DH 12 1164	ADJUST SCREW	1
21	36PD0075	JET KIT	DJ 12 1133	NEEDLE JET	1
			DJ 12 1017	MAIN JET	1
			DJ 12 1067	PILOT JET	1
			PD 58 1223	JET HOLDER	1
22	DH 12 1167	FLOAT BODY ASSY KIT	DH 12 1057	O-RING	1
			DH 12 1161	SCREW	1
			DH 12 1223	FLOAT CHAMBER BODY ASSY	1
			DH 12 1177	SCREW	1
			DH 12 1118	O-RING	1
23	DH 12 1170	TOP CAP ASSY KIT	DH 12 1044	DIAPHRAGM COVER	1
			DH 12 1176	SCREW	1
27	36PD0078	Kit saree guard + Grab + Fitting	PD 2314 26	Grab handle front	1
			PD 2312 12	Saree guard RH	1
			KA DD10 60	Bolt flanged	1
			KA DU08 55	Bolt flanged M8 x 1.25 x L55	1
			KA DU08 40	Bolt flanged M8 x 1.25 x L40	1
			KA DD08 14	Bolt flanged	1



# Parts Index



Part Number	Figure No.	Page No.
30 1410 31	10	80
30 1510 05	7	64
30 1510 38	25	64
30 1510 69	16	64
30 1510 82	12	64
30 1810 26	16A	76
30 1910 17	16	72
30 1910 24	15	72
30 1910 35	1	90
30 1910 36	7	90
30 1910 48	3	102
31 1011 08	14	22
31 1011 73	4	14
31 1210 06	9	12
31 1610 78	6	92
31 2010 01	5	98
31 2010 01	6	100
33 1410 08	8	80
33 1410 08	8	6
36 0010 52	6	110
36 0010 55	8	110
36 0010 56	23	112
36 0010 58	2	110
36 0010 60	18	112
36 0010 61	1	110
36 0010 62	9	110

Part Number	Figure No.	Page No.
36 3140 04	33	78
36 3140 04	10	110
36 DH40 19	7	14
36 DH40 29	11	110
36 DH40 30	5	10
36 DH40 52	4	110
36 DH40 61	3	110
36 DH40 71	12	110
36 DH40 72	13	112
36 DH41 36	11	36
36 DJ10 04	7	8
36 DK00 38	9	14
36 DK00 38	4	32
36 DK00 45	17	44
36 DK00 65	10	70
36 DK00 66	11	70
36 DK00 76	1	44
36 DS10 01	12	4
36 DV00 05	10	54
36 JG00 11	4	46
36 PD00 09	10	64
36 DJ40 17	1	28
36 PD00 13	1	26
36 PD00 14	2	24
36 PD00 30	6	32
36 PD00 43	4	70

# Parts Index



Part Number	Figure No.	Page No.
36 PD00 44	12	70
36 PD00 45	13	70
36 PD00 50	1	68
36 PD00 51	1A	68
36 PD00 53	13	68
36 PD00 54	4	68
36 PD00 73	2	68
36 PD00 74	2	36
36 PD00 75	8	36
36 PD00 76	10	108
36 PD00 77	10	108
36 PD00 78	7	94
36 PD00 81	2	40
36 PD00 82	21	76
37 0043 52	16	112
37 0043 53	17	112
37 2240 18	19	112
37 2540 39	24	112
39 0146 08	23	54
39 0146 08	11	66
39 0146 08	6	90
39 0208 11	10	58
39 0211 11	6	98
39 0239 11	9	100
39 0292 15	3	66
39 0422 15	24	74

Part Number	Figure No.	Page No.
39 0694 15	18	66
39 0711 11	20	68
39 0740 11	26	82
39 0798 15	8	100
39 0805 11	5	66
39 0999 06	14	4
39 0999 06	10	28
39 0999 06	4	30
39 0999 06	4	34
39 1027 02	24	82
39 1041 19	3	28
39 1053 15	7	50
39 1069 01	21	64
39 1069 01	2	66
39 1075 04	9	2
39 1076 01	4	92
39 1211 11	10	66
39 1211 11	40	78
39 1211 11	8	90
39 1211 11	13	96
39 1225 15	6	38
39 1225 15	5	100
39 1620 11	9	16
39 1660 05	2	4
39 1672 04	11	24
39 1672 04	7	88

# Parts Index



Part Number	Figure No.	Page No.	Part Number	Figure No.	Page No.
39 1673 04	13	10	39 2132 17	5	12
39 1674 04	8	4	39 2152 20	5	16
39 1674 04	11	16	39 2152 20	9	44
39 1674 04	24	28	39 2158 11	2	18
39 1674 04	2	34	39 2159 11	24	18
39 1677 04	18	26	39 2160 11	9	18
39 1686 06	8	16	39 2165 11	3	14
39 1880 20	3	10	39 2166 11	11	18
39 1880 20	10	32	39 2180 06	8	24
39 1902 04	17	22	39 2180 06	22	26
39 1931 20	6	14	39 2181 06	13	4
39 1937 17	13	54	39 2181 06	2	12
39 1940 04	19	26	39 2188 19	4	26
39 1941 04	13	48	39 2190 19	12	26
39 1967 04	5	48	39 2194 21	6	34
39 1970 15	5	38	39 2200 11	16	32
39 1970 15	3	48	39 2203 07	8	14
39 1975 04	13	104	39 2228 15	11	22
39 1990 20	18	28	39 2310 04	16	86
39 1993 04	19	72	39 2391 21	2	2
39 1995 01	18	72	39 2400 11	12	22
39 1997 15	11	50	39 2427 04	23	74
39 1998 19	13	22	39 2440 11	9	8
39 2017 19	5	8	39 2443 11	17	28
39 2044 01	11	40	39 2448 11	20	26
39 2046 01	10	40	39 2492 11	11	38

# Parts Index



Part Number	Figure No.	Page No.	Part Number	Figure No.	Page No.
39 2532 04	8	2	56 PD06 X3	5	108
39 2535 15	6	94	56 PD4H X3	4	108
39 2542 20	4	10	59 0400 03	26	74
39 2557 17	7	16	59 0400 05	27	78
39 2583 20	6	24	59 0400 42	1	48
39 2601 20	7	24	59 0400 43	7	48
39 2603 20	8	26	59 0500 08	3	24
39 2606 07	7	20	59 0500 08	2	26
39 2608 01	10	4	59 2000 06	9	26
39 2639 04	6	20	59 2000 07	4	44
39 2647 15	6	2	59 2000 27	9	24
39 2669 21	1	10	59 2000 28	12	16
39 2726 12	7	52	59 2000 29	10	26
39 2754 04	12	38	59 2100 06	5	26
52 DH01 69	1	34	60 1114 20	8	40
52 DH01 77	10	16	62 3050 84	22	112
52 DV00 51	16	22	75 6802 36	20	112
52 PD01 09	5	30	76 0109 36	14	112
52 PD01 35	1	30	76 0109 37	15	112
52 PD05 95	1	108	83 0201 73	7	110
52 PD05 96	2	108	83 0203 25	3	110
52 PD05 97	3	108	83 0203 34	1	110
52 PD05 98	1	108	83 0203 68	5	110
52 PD06 08	2	108	83 0204 11	1	110
52 PD06 09	3	108	83 0204 73	5	110
56 DJ4E 1Y	13	44	AA 1014 37	13	18

# Parts Index



Part Number	Figure No.	Page No.	Part Number	Figure No.	Page No.
AA 1014 37	4	24	DG 1014 98	15	26
AA 1410 67	12	6	DG 1110 08	7	42
AA 2012 27	3	98	DG 1210 12	3	40
AK 2010 12	12	102	DG 1210 14	5	40
AP 1010 43	7	30	DG 1210 23	9	40
AP 1110 12	12	42	DG 1410 17	2	104
AP 2010 25	14	102	DG 1410 19	13	80
CS 1011 28	14	10	DG 1410 24	11	80
DD 1010 62	8	10	DG 1410 25	12	80
DD 1110 12	15	42	DG 1410 26	14	80
DD 1210 07	8	12	DG 1410 27	16	80
DD 1412 27	25	82	DG 1410 43	9	80
DD 1610 22	8	92	DG 1410 59	5	80
DD 1610 71	4	58	DG 1510 05	7	62
DE 1510 43	8	70	DG 1510 06	1	62
DE 1510 45	9	70	DG 1510 07	8	62
DE 1510 46	5	70	DG 1510 58	15	64
DE 1510 47	6	70	DG 1510 59	4	64
DG 1010 29	4	8	DG 1510 60	5	64
DG 1011 87	6	22	DG 1510 62	19	64
DG 1012 85	4	38	DG 1510 65	24	64
DG 1013 39	5	22	DG 1510 67	26	64
DG 1014 18	7	28	DG 1510 68	14	64
DG 1014 19	9	38	DG 1510 85	18	64
DG 1014 56	11	26	DG 1510 96	3	64
DG 1014 98	3	2	DG 1611 08	5	56

# Parts Index



Part Number	Figure No.	Page No.	Part Number	Figure No.	Page No.
DG 1611 10	3	56	DG 1710 19	10	50
DG 1611 17	5	92	DG 1710 22	8	50
DG 1611 18	7	92	DG 1710 25	6	52
DG 1611 20	2	92	DG 1710 29	5	52
DG 1611 21	3	92	DG 1710 34	6	50
DG 1611 24	10	38	DG 1710 35	2	52
DG 1611 24	8	58	DG 1710 36	4	52
DG 1611 29	3	58	DG 1710 37	3	52
DG 1611 44	7	54	DG 1710 38	8	52
DG 1611 45	12	54	DG 1810 03	18	76
DG 1611 47	11	54	DG 1810 04	23	78
DG 1611 50	21	54	DG 1810 05	20	76
DG 1611 53	24	54	DG 1810 06	15	76
DG 1611 54	11	48	DG 1810 08	28	78
DG 1611 65	12	48	DG 1810 11	13	76
DG 1611 68	6	104	DG 1810 13	14	76
DG 1611 89	22	54	DG 1810 14	6	76
DG 1612 19	2	58	DG 1810 15	7	76
DG 1612 20	1	92	DG 1810 21	24	78
DG 1612 22	14	54	DG 1810 22	11	76
DG 1612 25	9	92	DG 1810 24	19	76
DG 1612 30	6	58	DG 1810 25	29	78
PD 1814 12	1	56	DG 1810 26	22	78
DG 1612 76	11	58	DG 1810 28	37	78
DG 1710 16	5	50	DG 1810 36	32	78
DG 1710 18	9	50	DG 1810 40	19	68

# Parts Index



Part Number	Figure No.	Page No.	Part Number	Figure No.	Page No.
DG 1810 41	31	78	DH 1011 11	15	18
DG 1810 54	25	74	DH 1011 41	4	28
DG 1810 55	1	104	DH 1011 42	5	28
DG 1810 57	8	104	DH 1011 46	3	20
DG 1810 58	11	104	DH 1011 52	20	28
DG 1810 59	12	104	DH 1011 54	12	28
DG 1810 96	27	74	DH 1011 72	8	44
DG 1810 99	36	78	DH 1011 95	11	14
DG 1910 10	11	72	DH 1011 97	2	28
DG 1910 12	12	72	DH 1012 03	13	26
DG 1910 13	14	72	DH 1012 35	5	18
DG 1910 14	17	72	DH 1012 75	23	28
DG 1910 50	9	90	DH 1012 92	9	30
DG 1910 51	9	66	DH 1012 93	10	30
DG 1910 51	10	90	DH 1012 94	11	30
DG 2010 15	4	98	DH 1012 95	8	8
DG 2010 23	10	104	DH 1013 19	18	18
DG 2010 30	20	72	DH 1013 55	14	14
DG 2010 61	17	102	DH 1013 73	14	16
DG 2210 09	5	104	DH 1013 79	7	26
DH 1010 18	11	28	DH 1013 80	6	42
DH 1010 64	10	14	DH 1013 81	4	42
DH 1010 65	12	14	DH 1013 81	9	104
DH 1010 72	2	16	DH 1013 85	3	16
DH 1010 79	4	18	DH 1013 85	23	26
DH 1010 84	8	18	DH 1013 85	6	44

# Parts Index



Part Number	Figure No.	Page No.	Part Number	Figure No.	Page No.
DH 1013 88	14	30	DH 1021 80	6	6
DH 1013 89	14	44	DH 1021 89	8	20
DH 1013 92	11	10	DH 1022 01	5	2
DH 1013 93	7	22	DH 1110 13	9	42
DH 1013 94	10	22	DH 1110 16	11	42
DH 1013 96	2	14	DH 1111 14	11	44
DH 1014 12	7	10	DH 1210 10	3	34
DH 1014 14	3	12	DH 1210 11	14	28
DH 1014 24	6	16	DH 1210 12	15	28
DH 1014 87	10	24	DH 1210 35	5	34
DH 1014 93	4	20	DH 1210 57	5	36
DH 1014 96	9	20	DH 1210 93	13	36
DH 1015 08	4	4	DH 1211 62	7	36
DH 1015 44	16	28	DH 1211 67	9	36
DH 1015 81	5	44	DH 1211 68	3	36
DH 1016 48	14	32	DH 1211 70	10	36
DH 1016 61	14	26	DH 1211 90	17	40
DH 1017 14	2	22	DH 1510 39	2	70
DH 1018 96	5	24	DH 1611 45	12	58
DH 1019 16	10	2	DH 1611 46	13	58
DH 1020 52	13	16	DH 1710 19	4	62
DH 1020 53	4	16	DH 1710 19	17	64
DH 1021 18	7	4	DH 1910 17	28	74
DH 1021 25	9	10	DH 1910 62	15	68
DH 1021 66	15	30	DJ 1010 12	11	4
DH 1021 74	5	6	DJ 1010 64	3	38

# Parts Index



Part Number	Figure No.	Page No.	Part Number	Figure No.	Page No.
DJ 1011 06	4	12	DK 1010 94	3	26
DJ 1013 12	23	18	DK 1010 97	6	26
DJ 1013 50	1	32	DK 1011 02	6	18
DJ 1013 71	6	12	DK 1011 03	3	18
DJ 1013 73	2	10	DK 1011 04	7	18
DJ 1016 89	1	16	DK 1011 05	12	18
DJ 1017 11	1	4	DK 1011 26	13	32
DJ 1017 38	9	4	DK 1011 44	10	18
DJ 1210 59	12	36	DK 1011 59	1	20
DJ 1210 90	5	4	DK 1011 60	2	20
DJ 1410 08	9	46	DK 1011 76	7	44
DJ 1410 56	3	80	DK 1012 45	20	18
DJ 1612 28	6	30	DK 1012 51	6	28
DJ 1910 26	5	68	DK 1012 53	9	22
DJ 1910 27	6	68	DK 1012 84	3	42
DJ 1910 28	7	68	DK 1013 26	6	8
DJ 1910 29	8	68	DK 1013 52	21	18
DJ 1910 30	9	68	DK 1013 80	16	26
DJ 1910 31	10	68	DK 1014 71	1	18
DJ 1910 34	11	68	DK 1014 80	13	28
DJ 1910 35	12	68	DK 1015 69	5	32
DJ 2011 09	14	68	DK 1015 70	15	32
DJ 2011 40	21	26	DK 1015 71	2	32
DJ 2011 73	15	56	DK 1015 73	11	32
DK 1010 63	1	12	DK 1015 74	9	32
DK 1010 72	12	32	DK 1015 92	7	12

# Parts Index



Part Number	Figure No.	Page No.	Part Number	Figure No.	Page No.
DK 1016 36	22	28	DS 1010 84	7	2
DK 1017 17	16	18	DS 1011 54	5	14
DK 1017 18	14	18	DS 1011 66	4	2
DK 1017 19	19	18	DS 1012 15	8	28
DK 1017 21	17	18	DS 1013 53	9	28
DK 1017 22	3	22	DS 1013 53	3	30
DK 1017 25	8	22	DS 1013 53	12	44
DK 1017 32	5	20	DS 2010 25	9	102
DK 1017 33	1	22	DT 1138 58	10	46
DK 1017 38	19	28	DV 1010 34	15	22
DK 1017 48	1	8	DV 1010 40	4	22
DK 1017 51	2	8	DV 1010 42	2	30
DK 1017 55	3	8	DV 1010 48	22	18
DK 1017 94	18	44	DV 1510 07	5	62
DK 1017 97	3	44	DV 1610 17	1	58
DK 1110 77	1	42	DV 1610 36	10	102
DK 1510 26	3	60	DV 1610 46	1	54
DK 1510 39	1	60	DV 1610 50	9	54
DK 1810 43	2	72	DV 1610 60	9	58
DK 1810 75	5	46	DV 1810 08	5	88
DK 2010 49	5	102	DV 1810 09	4	88
DK 2010 98	2	90	DV 1810 10	3	88
DM 1210 14	13	84	DV 1810 13	5	76
DP 1210 18	12	40	DV 1910 07	3	68
DP 1611 44	30	78	DV 2010 16	8	102
DS 1010 71	21	28	DX 1610 66	13	56

# Parts Index



Part Number	Figure No.	Page No.	Part Number	Figure No.	Page No.
DZ 1612 65	9	56	JL 1220 26	3	50
GF 2010 50	28	82	JL 1312 32	8	64
GH 2010 12	10	100	JL 1711 01	17	84
JA 5812 33	6	36	JL 1711 02	15	84
JC 1010 01	1	14	JL 4022 07	19	102
JC 1010 34	12	10	JL 5810 65	11	6
JC 1010 35	10	10	JL 5810 66	10	6
JC 1011 15	19	44	JM 1000 03	18	22
JC 1011 45	10	44	JM 1000 40	12	30
JC 1510 20	3	62	JM 1000 41	13	30
JD 1138 14	13	6	JM 1010 22	14	38
JD 1138 15	14	6	JM 1010 27	2	38
JD 1710 16	7	40	JM 1410 09	15	80
JD 4010 32	10	98	JM 1510 05	6	64
JD 4022 17	18	102	JM 1610 02	4	48
JE 5412 12	8	30	JM 1610 03	2	48
JE 5810 39	9	6	JM 1610 37	15	54
JF 4018 03	6	102	JM 1610 37	1	66
JG 1710 29	16	84	JM 1710 03	4	50
JG 1710 86	7	84	JM 1710 04	2	50
JG 1812 43	11	96	JM 1910 10	3	72
JG 4018 08	20	102	JM 1910 11	4	66
JH 1710 17	21	80	JM 1910 12	7	66
JH 1710 48	3	84	JM 1910 13	8	66
JH 1716 02	18	84	JM 1910 13	3	90
JK 5110 02	13	40	JM 1910 14	15	66

# Parts Index



Part Number	Figure No.	Page No.	Part Number	Figure No.	Page No.
JM 1910 14	13	102	KA DF06 30	15	6
JM 2210 03	1	106	KA DF08 14	12	56
JP 1812 29	5	96	KA DU08 40	7	56
JW 1318 07	3	70	KA DU08 40	4	94
JY 1138 42	10	84	KA DU08 55	5	94
JY 1710 69	14	84	KA EA06 10	19	42
JY 1710 77	1	84	KA EA06 12	7	104
JY 1710 90	19	84	KA EA06 22	12	76
JY 5514 02	2	44	KA EA06 22	7	100
JZ 1112 92	11	46	KA ED06 14	18	68
JZ 2328 05	4	56	KA ED06 16	21	68
KA AD05 20	7	34	KA ED06 20	9	76
KA CA06 12	6	54	KA EG06 14	7	6
KA CF08 30	16	76	KA EM06 10	5	54
KA DA06 14	4	86	KB CA04 16	8	34
KA DA06 25	2	88	KB RA48 19	8	96
KA DD06 10	25	102	KB UA06 12	18	54
KA DD06 12	2	102	KB UA06 12	13	66
KA DD06 12	22	102	KB UA06 16	6	86
KA DD06 30	14	42	KB UC06 14	3	46
KA DD08 14	3	94	KC BA06 04	23	102
KA DD08 60	10	48	KC GA05 05	22	80
KA DF06 12	17	80	KC GA06 06	6	88
KA DF06 14	17	76	KC GA06 06	7	98
KA DF06 18	23	42	KC GC06 06	8	56
KA DF06 22	18	80	KC GF06 06	16	6

# Parts Index



Part Number	Figure No.	Page No.	Part Number	Figure No.	Page No.
KC HC06 08	22	42	LD B000 01	9	62
KD AB06 11	8	54	LD B000 01	20	64
KD AE05 10	7	96	LE C000 01	6	66
KD BA06 13	14	86	LH B000 01	21	66
KD BB08 18	20	66	NA	20	112
KD DB10 18	19	66	NA	21	112
KH AA32 35	7	58	PA 4010 18	27	82
KJ AB10 19	17	26	PD 1110 41	1	46
KJ AC18 24	3	4	PD 1130 00	2	54
KP BC60 04	22	64	PD 1130 02	19	54
KP BC62 02	6	62	PD 1130 03	3	54
KP BC62 02	13	64	PD 1130 04	20	54
KP BC63 02	23	64	PD 1130 10	25	54
LA C000 16	2	96	PD 1132 07	5	58
LA C000 27	12	96	PD 1134 10	8	48
LA C000 90	15	86	PD 1134 11	9	48
LA D000 43	11	102	PD 1134 13	6	48
LA G000 10	3	86	PD 1138 00	21	102
LB B000 14	19	80	PD 1138 03	38	78
LB U000 08	17	54	PD 1138 07	18	42
LB U000 08	14	66	PD 1138 08	6	46
LB U000 09	9	98	PD 1138 09	14	104
LC L000 02	14	96	PD 1138 10	20	42
LC L000 04	11	64	PD 1138 11	21	42
LD A000 34	3	96	PD 1138 14	8	46
LD A000 43	6	80	PD 1210 06	34	78

# Parts Index



Part Number	Figure No.	Page No.	Part Number	Figure No.	Page No.
PD 1210 07	1	76	PD 1510 06	2	46
PD 1210 09	3	76	PD 1510 20	4	72
PD 1210 10	4	76	PD 1510 20	2	76
PD 1210 11	26	78	PD 1610 01	10	72
PD 1210 12	25	78	PD 1610 04	9	72
PD 1210 14	35	78	PD 1612 07	4	90
PD 1210 15	10	76	PD 1612 08	5	90
PD 1220 03	16	66	PD 1710 03	7	80
PD 1220 04	17	66	PD 1710 08	2	80
PD 1220 10	1	52	PD 1710 29	12	84
PD 1220 13	1	50	PD 1710 48	1	80
PD 1310 07	4	60	PD 1710 49	12	46
PD 1312 11	2	60	PD 1716 02	8	84
PD 1312 12	1	64	PD 1716 04	6	84
PD 1312 13	9	64	PD 1716 05	2	84
PD 1312 24	5	60	PD 1716 06	5	84
PD 1318 03	10	62	PD 1716 09	9	84
PD 1318 07	16	68	PD 1716 12	4	80
PD 1318 10	2	64	PD 1716 16	4	84
PD 1318 15	2	62	PD 1716 19	11	84
PD 1318 51	17	68	PD 1810 00	4	102
PD 1318 53	1	70	PD 1812 12	7	86
PD 1510 00	1	72	PD 1812 13	10	86
PD 1510 01	6	72	PD 1812 14	8	86
PD 1510 04	7	72	PD 1812 15	11	86
PD 1510 05	8	72	PD 1812 22	4	96

# Parts Index



Part Number	Figure No.	Page No.	Part Number	Figure No.	Page No.
PD 1812 23	8	76	PD 2316 05	13	72
PD 1812 39	10	96	PD 2326 03	4	104
PD 1812 41	1	96	PD 2326 04	3	104
PD 1812 43	39	78	PD 2330 63	8	108
PD 1812 45	6	96	PD 2330 64	9	108
PD 1814 00	14	56	PD 2330 77	6	108
PD 1814 01	10	56	PD 2330 78	7	108
PD 1814 08	11	56	PD 2330 92	6	108
PD 1814 11	6	56	PD 2330 93	7	108
PD 1814 13	2	56	PD 3510 02	2	42
PD 1814 21	16	56	PD 3512 35	10	42
PD 1910 01	2	86	PD 3512 37	16	42
PD 1910 09	1	86	PD 3512 48	8	42
PD 2312 01	1	94	PD 4010 14	15	96
PD 2312 02	2	94	PD 4010 32	3	100
PD 2312 04	13	38	PD 4010 33	4	100
PD 2312 05	16	54	PD 4010 38	8	98
PD 2312 05	12	66	PD 4010 45	1	100
PD 2312 06	4	54	PD 4010 46	2	100
PD 2314 02	12	86	PD 4014 04	22	72
PD 2314 03	13	86	PD 4014 24	21	72
PD 2314 04	18	86	PD 4016 01	1	102
PD 2314 11	17	86	PD 4020 07	13	42
PD 2314 12	5	86	PD 4022 06	7	46
PD 2314 20	9	86	PD 4022 06	24	102
PD 2316 04	5	72	PD 4022 13	16	102

# Parts Index



Part Number	Figure No.	Page No.	Part Number	Figure No.	Page No.
PD 4022 14	15	102	PD 5824 07	2	6
PD 4022 37	7	102	PD 5910 23	15	38
PD 4024 18	1	88	PD 5911 00	8	38
PD 4026 02	20	80	PD 5911 01	7	38
PD 4026 08	23	82	YP D140 01	9	96
PD 5010 49	1	24	YP D140 02	16	96
PD 5110 25	1	2	YP D140 03	17	96
PD 5111 29	17	42	YP D140 04	18	96
PD 5112 29	6	10	YP D150 01	1	98
PD 5310 29	13	14	YP D150 02	2	98
PD 5412 74	5	42	YP D250 01	1	38
PD 5514 21	3	32			
PD 5514 27	8	32			
PD 5514 39	7	32			
PD 5810 09	6	40			
PD 5810 12	4	40			
PD 5810 61	14	40			
PD 5810 62	16	40			
PD 5810 63	15	40			
PD 5810 80	1	40			
PD 5812 20	6	4			
PD 5812 21	1	36			
PD 5812 22	4	36			
PD 5822 00	1	6			
PD 5824 01	3	6			
PD 5824 02	4	6			